



## LM4041

## LINEAR INTEGRATED CIRCUIT

### PRECISION MICROPOWER SHUNT VOLTAGE REFERENCE

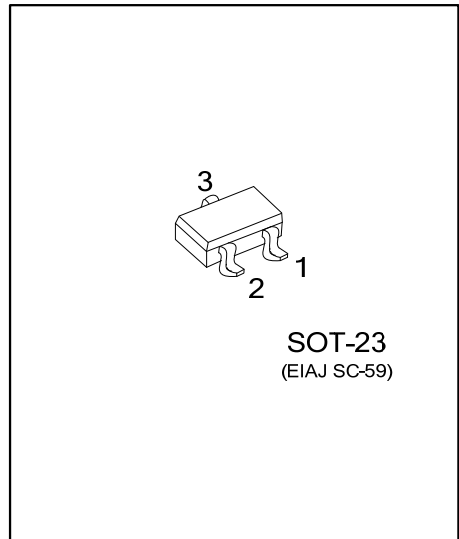
#### DESCRIPTION

As a shunt voltage reference integrated circuit, UTC **LM4041** can be used for widespread applications with enhancement of the competitive advantage by saving use of external capacitors..

In order to ensure a stable output voltage, the reference not only offers low dynamic impedance, low noise and a low temperature coefficient, but also provides tight output tolerance (Max 1.0 %) and low temperature coefficient (150ppm/°C).

There are two versions of 1.225V and adjustable reverse breakdown voltage. The minimum operating current is 45  $\mu$ A for the LM4041-1.2 and the LM4041-ADJ.

However, for those applications which the output voltage needs to be adjusted between 1.233V and 10V, an external resistor divider is necessary.



SOT-23  
(EIAJ SC-59)

#### FEATURES

\*Output Tolerances and Temperature Coefficient: Max 1.0%, 150 ppm

\*Low Output Noise : 20 $\mu$ V<sub>RMS</sub> (Typ.)

\* Operating Current range : 45 $\mu$ A ~ 12mA

#### ORDERING INFORMATION

Ordering Number	Package	Packing
LM4041G-xx-AE3-R	SOT-23	Tape Reel

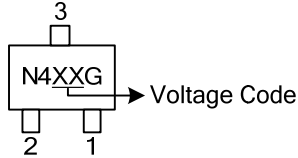
Note: xx: Output Voltage, refer to Marking Information.

<p>LM4041G-xx-AE3-R</p> <p>(1) Packing Type</p> <p>(2) Package Type</p> <p>(3) Output Voltage Code</p> <p>(4) Green Package</p>	<p>(1) R: Tape Reel</p> <p>(2) AE3: SOT-23</p> <p>(3) xx: Refer to Marking Information</p> <p>(4) G: Halogen Free and Lead Free</p>
---	---

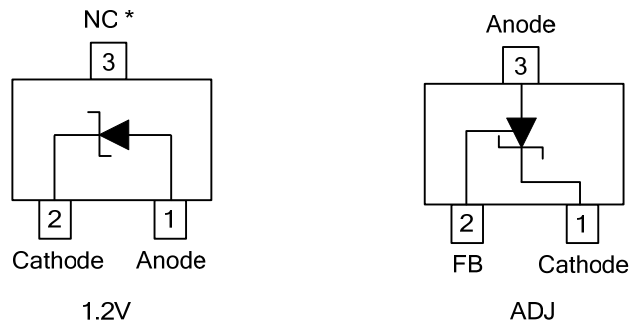
# LM4041

## LINEAR INTEGRATED CIRCUIT

### MARKING INFORMATION

PACKAGE	VOLTAGE CODE	MARKING
SOT-23	12: 1.2V AD: ADJ	

### PIN CONFIGURATION



### PIN DESCRIPTION

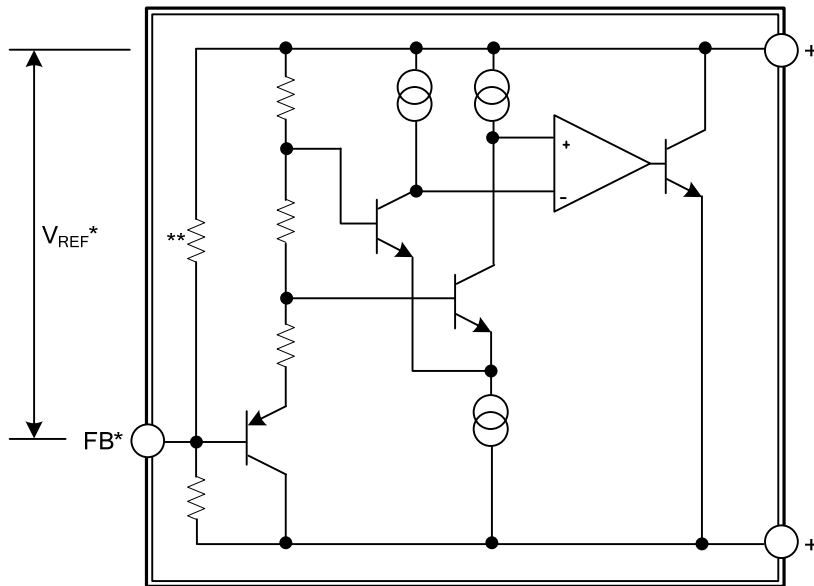
#### UTC LM4041-1.2

PIN NO.	PIN NAME	DESCRIPTION
1	Anode	Output reference voltage, anode terminal
2	Cathode	Output reference voltage, cathode terminal
3	NC	No Connection

#### UTC LM4041-ADJ

PIN NO.	PIN NAME	DESCRIPTION
1	Cathode	Output reference voltage, cathode terminal
2	FB	Feedback terminal (for )
3	Anode	Output reference voltage, anode terminal

### ■ BLOCK DIAGRAM



\* UTC LM4041-ADJ only

\*\* UTC LM4041-1.2 only

■ ABSOLUTE MAXIMUM RATING ( $T_A = 25^\circ\text{C}$ , unless otherwise specified.)

PARAMETER	SYMBOL	RATINGS	UNIT
Continuous Cathode Voltage	$V_Z$	15	V
Continuous Cathode Current	$I_Z$	-10~+25	mA
Junction Temperature	$T_J$	150	$^\circ\text{C}$
Storage Temperature	$T_{\text{STG}}$	-65~+150	$^\circ\text{C}$

Note: Absolute maximum ratings are those values beyond which the device could be permanently damaged. Absolute maximum ratings are stress ratings only and functional device operation is not implied.

■ RECOMMENDED OPERATING CONDITIONS

PARAMETER	SYMBOL	RATINGS	UNIT
Cathode Current (max)	$I_Z$	12	mA
Reverse Breakdown Voltage	$V_Z$	10	V
Operating Temperature	$T_A$	-40~+85	$^\circ\text{C}$

■ THERMAL DATA

PARAMETER	SYMBOL	RATINGS	UNIT
Junction to Ambient	$\theta_{JA}$	206	$^\circ\text{C}/\text{W}$

Note: Maximum power dissipation is a function of  $T_{J(\text{max})}$ ,  $\theta_{JA}$ , and  $T_a$ . The maximum allowable power dissipation at any allowable ambient temperature is  $P_D = (T_{J(\text{max})} - T_a) / \theta_{JA}$ . Operating at the absolute maximum  $T_J$  of  $150^\circ\text{C}$  can affect reliability.

■ ELECTRICAL CHARACTERISTICS ( $T_A = -40^\circ\text{C} \sim +85^\circ\text{C}$ , unless otherwise specified.)

FOR UTC LM4041-1.2

PARAMETER	SYMBOL	TEST CONDITIONS	MIN	TYP	MAX	UNIT	
Reverse Breakdown Voltage	$V_{\text{REF}}$	$I_Z = 100\mu\text{A}$ , $T_A = 25^\circ\text{C}$		1.225		V	
Reverse Breakdown Voltage Tolerance		$I_Z = 100\mu\text{A}$	$T_A = 25^\circ\text{C}$	-12	12	mV	
			$T_A = -40^\circ\text{C} \sim +85^\circ\text{C}$	-24	24	mV	
Reverse Breakdown Voltage Change With Operating Current Change	$\frac{\Delta V_{\text{REF}}}{\Delta I_Z}$	$I_{Z(\text{MIN})} < I_Z < 1\text{mA}$	$T_A = 25^\circ\text{C}$	0.7	2.0	mV	
			$T_A = -40^\circ\text{C} \sim +85^\circ\text{C}$		2.5	mV	
		$1\text{mA} < I_Z < 12\text{mA}$	$T_A = 25^\circ\text{C}$	2.5	8	mV	
			$T_A = -40^\circ\text{C} \sim +85^\circ\text{C}$		10	mV	
Minimum Operating Current	$I_{Z(\text{MIN})}$	$T_A = 25^\circ\text{C}$		45	65	$\mu\text{A}$	
		$T_A = -40^\circ\text{C} \sim +85^\circ\text{C}$			70	$\mu\text{A}$	
Temperature Coefficient of Output Voltage (Note)	$T_{CV_O}$	$I_Z = 10\text{mA}$ , $T_A = 25^\circ\text{C}$		$\pm 20$		ppm/ $^\circ\text{C}$	
		$I_Z = 1\text{mA}$	$T_A = 25^\circ\text{C}$		$\pm 15$		ppm/ $^\circ\text{C}$
			$T_A = -40^\circ\text{C} \sim +85^\circ\text{C}$			$\pm 150$	ppm/ $^\circ\text{C}$
		$I_Z = 100\mu\text{A}$ , $T_A = 25^\circ\text{C}$		$\pm 15$		ppm/ $^\circ\text{C}$	
Reverse Dynamic Impedance	$Z_Z$	$I_Z = 1\text{mA}$ , $I_{AC} = 0.1I_Z$ , $f = 120\text{Hz}$ , $T_A = 25^\circ\text{C}$		0.5	2.0	$\Omega$	
Output Voltage Noise	$e_N$	$I_Z = 100\mu\text{A}$ , $10\text{Hz} \leq f \leq 10\text{kHz}$ , $T_A = 25^\circ\text{C}$		20		$\mu\text{Vrms}$	
Long-term Stability of Reverse Breakdown Voltage		$t = 1000\text{h}$ , $I_Z = 100\mu\text{A}$ , $T_A = 25^\circ\text{C} \pm 0.1^\circ\text{C}$ ,		120		ppm	

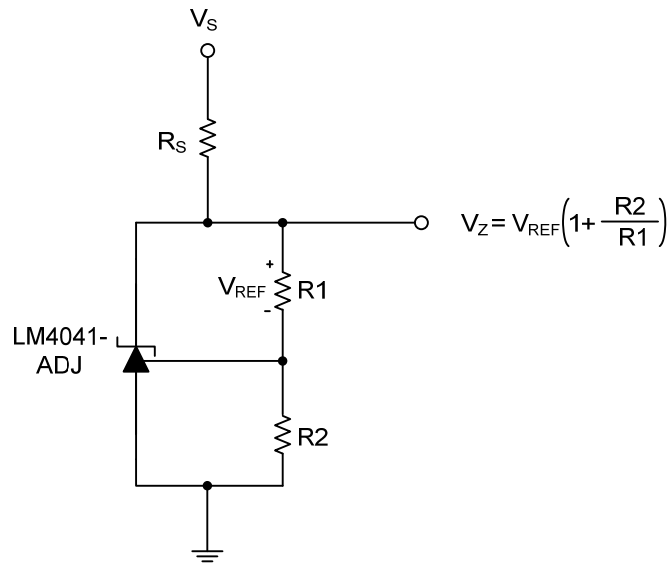
### ■ ELECTRICAL CHARACTERISTICS (Cont.)

#### FOR UTC LM4041-ADJ

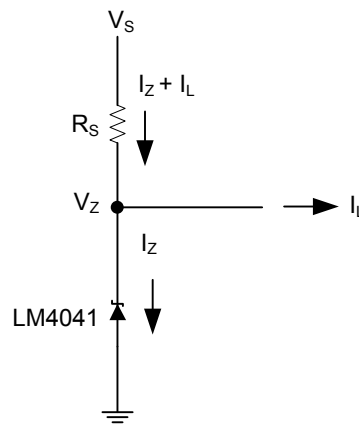
PARAMETER	SYMBOL	TEST CONDITIONS	MIN	TYP	MAX	UNIT
Reference Voltage	$V_{REF}$	$V_Z=5V, I_Z = 100\mu A, T_A=25^\circ C$		1.233		V
Reference Voltage Tolerance		$V_Z=5V, I_Z = 100\mu A$	$T_A=25^\circ C$	-12	12	mV
			$T_A=-40^\circ C \sim +85^\circ C$	-24	24	mV
Reference Voltage Change With Cathode Current Change	$\frac{\Delta V_{REF}}{\Delta I_Z}$	$I_{Z(MIN)} < I_Z < 1mA$	$T_A=25^\circ C$	0.7	2	mV
			$T_A=-40^\circ C \sim +85^\circ C$		2.5	mV
		$1mA < I_Z < 12mA$	$T_A=25^\circ C$	2	6	mV
			$T_A=-40^\circ C \sim +85^\circ C$		8	mV
Reference Voltage Change With Output Voltage Change	$\frac{\Delta V_{REF}}{\Delta V_{KA}}$	$I_Z=1mA$	$T_A=25^\circ C$	-1.55	-2	mV/V
			$T_A=-40^\circ C \sim +85^\circ C$		-3	mV/V
Minimum Cathode Current	$I_{Z(MIN)}$	$T_A=25^\circ C$		45	75	$\mu A$
		$T_A=-40^\circ C \sim +85^\circ C$			80	$\mu A$
Feedback Current	$I_{FB}$		$T_A=25^\circ C$	60	150	nA
			$T_A=-40^\circ C \sim +85^\circ C$		200	nA
Temperature Coefficient of Output Voltage (Note)	$T_{CV_O}$	$V_Z=5V, I_Z = 10mA, T_A=25^\circ C$	$T_A=25^\circ C$	$\pm 20$		ppm/ $^\circ C$
			$T_A=-40^\circ C \sim +85^\circ C$	$\pm 15$		ppm/ $^\circ C$
		$V_Z=5V, I_Z = 1mA$			$\pm 150$	ppm/ $^\circ C$
Reverse Dynamic Impedance	$Z_Z$	$V_Z=5V, I_Z=100\mu A, T_A=25^\circ C$		$\pm 15$		ppm/ $^\circ C$
		$V_Z=V_{REF}, I_Z=1mA, I_{AC}=0.1I_Z$ $f=120Hz, T_A=25^\circ C$		0.3		$\Omega$
Output Voltage Noise	$e_N$	$V_Z=V_{REF}, I_Z = 100\mu A$ $10Hz \leq f \leq 10kHz, T_A=25^\circ C$		2		$\Omega$
				20		$\mu V_{rms}$
Long-term Stability of Reverse Breakdown Voltage		$t=1000h, I_Z=100\mu A, T_A= 25^\circ C \pm 0.1^\circ C,$		120		ppm

Note: Reference voltage and average temperature coefficient change with output voltage ( $V_Z$ ).

■ TYPICAL APPLICATION CIRCUIT



**Adjustable Shunt Regulator**



**Shunt Regulator**

**■ APPLICATION INFORMATION**

$V_Z$  is set according to the equation shown as below which can be set by a user-defined resistor divider.

**Cathode and Load Currents**

The total current available to supply the load ( $I_L$ ) and bias the UTC **LM4041** ( $I_Z$ ) is set by  $R_S$ , so its value must be set properly. In all cases,  $I_Z$  must stay in a specified range for proper operation of the reference;  $R_S$  must be small enough to supply the minimum  $I_Z$ . At maximum  $V_S$  and minimum  $I_L$ , to limit  $I_Z$  to not exceed rating of 12 mA,  $R_S$  must be large enough.

$$R_S = \frac{(V_S - V_Z)}{(I_L + I_Z)}$$

UTC assumes no responsibility for equipment failures that result from using products at values that exceed, even momentarily, rated values (such as maximum ratings, operating condition ranges, or other parameters) listed in products specifications of any and all UTC products described or contained herein. UTC products are not designed for use in life support appliances, devices or systems where malfunction of these products can be reasonably expected to result in personal injury. Reproduction in whole or in part is prohibited without the prior written consent of the copyright owner. The information presented in this document does not form part of any quotation or contract, is believed to be accurate and reliable and may be changed without notice.