



MBR10100C

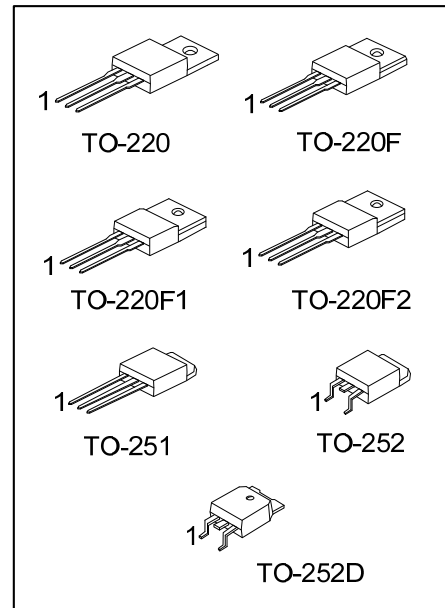
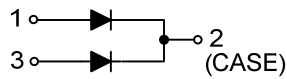
DIODE

SCHOTTKY BARRIER RECTIFIER

■ FEATURES

- * 10 amps total (5 amps per diode leg)
- * Guard ring for transient protection
- * Low forward voltage drop
- * High surge capability
- * Low power loss/High efficiency

■ SYMBOL



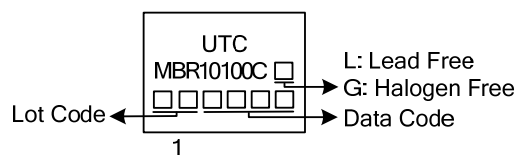
■ ORDERING INFORMATION

Ordering Number		Package	Pin Assignment			Packing
Lead Free	Halogen Free		1	2	3	
MBR10100CL-TA3-T	MBR10100CG-TA3-T	TO-220	A	K	A	Tube
MBR10100CL-TF1-T	MBR10100CG-TF1-T	TO-220F1	A	K	A	Tube
MBR10100CL-TF2-T	MBR10100CG-TF2-T	TO-220F2	A	K	A	Tube
MBR10100CL-TF3-T	MBR10100CG-TF3-T	TO-220F	A	K	A	Tube
MBR10100CL-TN3-R	MBR10100CG-TN3-R	TO-252	A	K	A	Tape Reel
MBR10100CL-TND-R	MBR10100CG-TND-R	TO-252D	A	K	A	Tape Reel
MBR10100CL-TQ2-T	MBR10100CG-TQ2-T	TO-263	A	K	A	Tube
MBR10100CL-TQ2-R	MBR10100CG-TQ2-R	TO-263	A	K	A	Tape Reel

Note: Pin Assignment: A: Anode K: Cathode

<p>MBR10100CL-TA3-T</p> <p>(1) Packing Type</p> <p>(2) Package Type</p> <p>(3) Green Package</p>	<p>(1) T: Tube, R: Tape Reel</p> <p>(2) TA3: TO-220, TF1: TO-220F1, TF2: TO-220F2, TF3: TO-220F, TN3: TO-252, TND: TO-252D, TQ2: TO-263</p> <p>(3) L: Lead Free, G: Halogen Free and Lead Free</p>
--	--

■ MARKING



■ ABSOLUTE MAXIMUM RATINGS (T_A=25°C, unless otherwise specified)

PARAMETER		SYMBOL	RATINGS	UNIT
Maximum Repetitive Peak Reverse Voltage		V _{RRM}	100	V
Maximum non-repetitive Peak Reverse Voltage		V _{RM}	100	V
Maximum DC Blocking Voltage		V _R	100	V
Average Forward Rectified Output Current	Per Leg	I _O	5	A
	Total		10	A
Non-Repetitive Peak Forward Surge Current 8.3ms Single Half-Sine-Wave		I _{FSM}	120	A
Junction Capacitance (Note 4)		C _J	300	pF
Operating Temperature		T _J	-55 ~ +150	°C
Storage Temperature		T _{STG}	-55 ~ +150	°C

■ THERMAL DATA

PARAMETER		SYMBOL	RATINGS	UNIT
Junction to Ambient	TO-220/TO-220F TO-220F1/TO-220F2 TO-263	θ _{JA}	60	°C/W
	TO-252/TO-252D		100	
	TO-220/TO-263		2	
Junction to Case	TO-220/TO-263	θ _{JC}	2	°C/W
	TO-220F/TO-220F1 TO-220F2		4	
	TO-252/TO-252D		2.5	
	TO-252/TO-252D		2.5	

■ ELECTRICAL CHARACTERISTICS

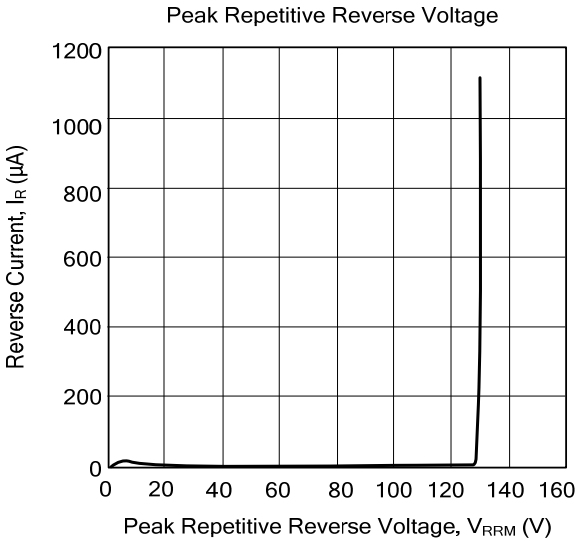
PARAMETER	SYMBOL	TEST CONDITIONS	MIN	TYP	MAX	UNIT
Instantaneous Forward Voltage Drop (Note 3)	V _{FM}	I _F =5A, T _C =25°C			0.85	V
		I _F =5A, T _C =125°C			0.80	V
		I _F =10A, T _C =25°C			0.95	V
		I _F =10A, T _C =125°C			0.90	V
Instantaneous Reverse Current (Note 3)	I _{RM}	Rated DC Voltage, T _C =25°C			100	μA
		Rated DC Voltage, T _C =125°C			15	mA

Notes: 1. Absolute maximum ratings are those values beyond which the device could be permanently damaged.

Absolute maximum ratings are stress ratings only and functional device operation is not implied.

- 2.0μs Pulse Width, f = 1.0 KHz.
- Pulse Test: Pulse Width=300μs, Duty Cycle ≤ 2.0 %
- Applied V_R = 4.0V and f = 1.0 MHz.

■ TYPICAL CHARACTERISTICS



UTC assumes no responsibility for equipment failures that result from using products at values that exceed, even momentarily, rated values (such as maximum ratings, operating condition ranges, or other parameters) listed in products specifications of any and all UTC products described or contained herein. UTC products are not designed for use in life support appliances, devices or systems where malfunction of these products can be reasonably expected to result in personal injury. Reproduction in whole or in part is prohibited without the prior written consent of the copyright owner. The information presented in this document does not form part of any quotation or contract, is believed to be accurate and reliable and may be changed without notice.