



MGBR30V60C

DIODE

DUAL MOS GATED BARRIER RECTIFIER

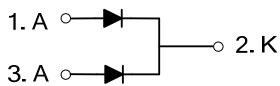
■ DESCRIPTION

The UTC **MGBR30V60C** is a dual mos gated barrier rectifiers, it uses UTC's advanced technology to provide customers with low forward voltage drop and high switching speed, etc.

■ FEATURES

- * Very low forward voltage drop
- * High switching speed

■ SYMBOL



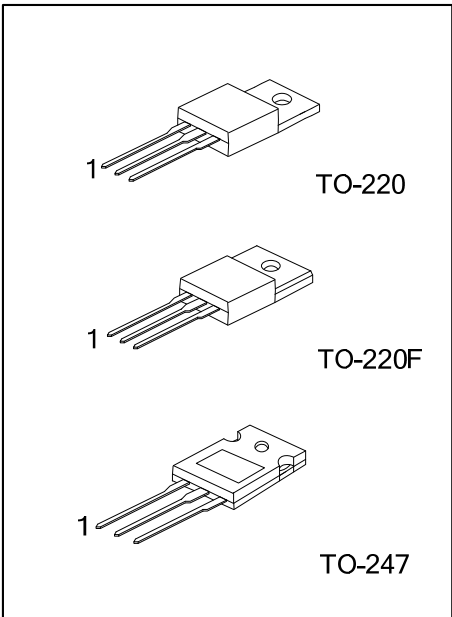
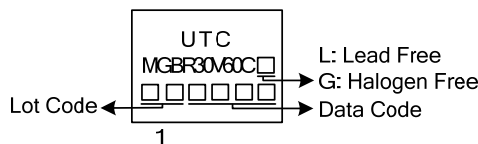
■ ORDERING INFORMATION

Ordering Number		Package	Pin Assignment			Packing
Lead Free	Halogen Free		1	2	3	
MGBR30V60CL-TA3-T	MGBR30V60CG-TA3-T	TO-220	A	K	A	Tube
MGBR30V60CL-TF3-T	MGBR30V60CG-TF3-T	TO-220F	A	K	A	Tube
MGBR30V60CL-T47-T	MGBR30V60CG-T47-T	TO-247	A	K	A	Tube

Note: Pin Assignment: A: Anode K: Cathode

<p>MGBR30V60CL-TA3-T</p> <p>(1)Packing Type</p> <p>(2)Package Type</p> <p>(3)Green Package</p>	<p>(1) T: Tube</p> <p>(2) TA3: TO-220, TF3: TO-220F, T47: TO-247</p> <p>(3) L: Lead Free, G: Halogen Free and Lead Free</p>
--	---

■ MARKING



■ ABSOLUTE MAXIMUM RATINGS (PER LEG) ($T_A=25^\circ\text{C}$ unless otherwise specified)

Single phase, half wave, 60Hz, resistive or inductive load.

For capacitance load, derate current by 20%.

PARAMETER		SYMBOL	RATINGS	UNIT
DC Blocking Voltage		V_{RM}	60	V
Working Peak Reverse Voltage		V_{RWM}	60	V
Peak Repetitive Reverse Voltage		V_{RRM}	60	V
Average Rectified Output Current Per Device	Per Leg	I_O	15	A
	Total		30	A
Non-Repetitive Peak Forward Surge Current 8.3ms Single Half Sine-Wave Superimposed on Rated Load		I_{FSM}	250	A
Operating Junction Temperature		T_J	-65~+150	$^\circ\text{C}$
Storage Temperature		T_{STG}	-65~+150	$^\circ\text{C}$

Note: Absolute maximum ratings are those values beyond which the device could be permanently damaged.

Absolute maximum ratings are stress ratings only and functional device operation is not implied.

■ THERMAL CHARACTERISTICS (PER LEG)

PARAMETER		SYMBOL	RATINGS	UNIT
Junction to Ambient	TO-220/TO-220F	θ_{JA}	62.5	$^\circ\text{C/W}$
	TO-247		35	$^\circ\text{C/W}$
Junction to Case	TO-220	θ_{JC}	2	$^\circ\text{C/W}$
	TO-220F		3.31	
	TO-247		1.45	

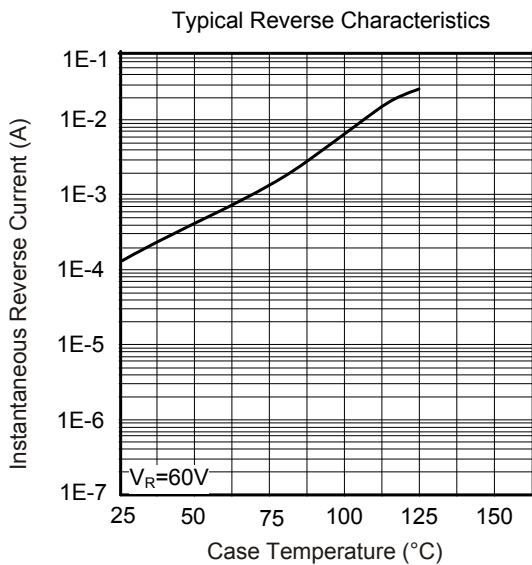
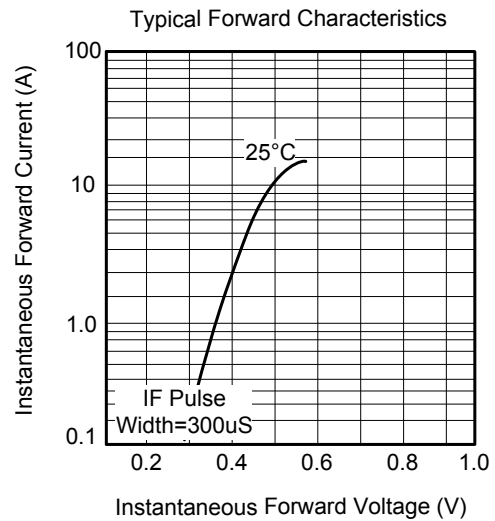
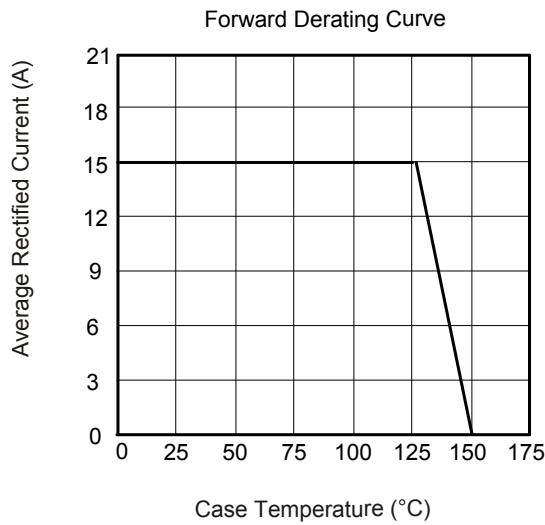
■ ELECTRICAL CHARACTERISTICS (PER LEG) ($T_A=25^\circ\text{C}$ unless otherwise specified.)

PARAMETER	SYMBOL	TEST CONDITIONS	MIN	TYP	MAX	UNIT
Reverse Breakdown Voltage (Note 1)	$V_{(BR)R}$	$I_R=0.60\text{mA}$	60			V
Forward Voltage Drop	V_{FM}	$I_F=15\text{A}, T_J=25^\circ\text{C}$			0.60	V
		$I_F=15\text{A}, T_J=125^\circ\text{C}$			0.55	V
Leakage Current (Note 1)	I_{RM}	$V_R=60\text{V}, T_J=25^\circ\text{C}$			500	μA
		$V_R=60\text{V}, T_J=125^\circ\text{C}$			100	mA

Notes: 1. Short duration pulse test used to minimize self-heating effect.

2. Thermal resistance junction to case mounted on heatsink.

■ TYPICAL CHARACTERISTICS



UTC assumes no responsibility for equipment failures that result from using products at values that exceed, even momentarily, rated values (such as maximum ratings, operating condition ranges, or other parameters) listed in products specifications of any and all UTC products described or contained herein. UTC products are not designed for use in life support appliances, devices or systems where malfunction of these products can be reasonably expected to result in personal injury. Reproduction in whole or in part is prohibited without the prior written consent of the copyright owner. The information presented in this document does not form part of any quotation or contract, is believed to be accurate and reliable and may be changed without notice.