



U74HCT138

CMOS IC

3-TO-8 LINE DECODERS / DEMULTIPLEXERS

DESCRIPTION

The **U74HCT138** decodes a three-bit Address to 1-of-8 active-low outputs.

This device features three Chip Select inputs, two active-low and one active-high, to facilitate the demultiplexing, cascading and chip-selecting functions.

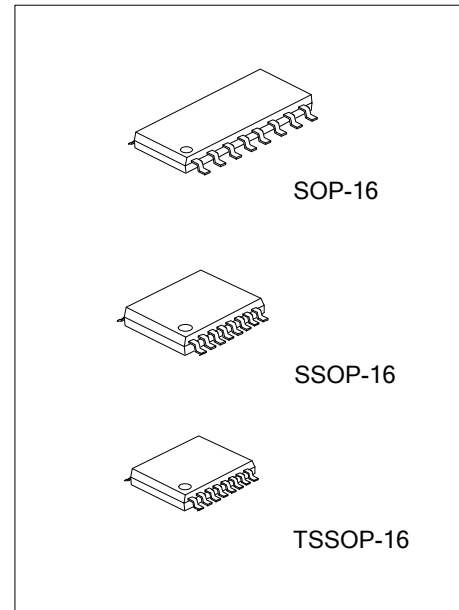
The demultiplexing function is accomplished by using the Address inputs to select the desired device output. One of the Chip Selects is used as a data input while the other Chip Selects are held in their active states.

FEATURES

- * Operate from 4.5V to 5.5V
- * Low Input Current: 1.0uA Max
- * Low Power Consumption: 8μA Max
- * Typical t_{PD} = 15ns
- * Inputs are TTL voltage compatible

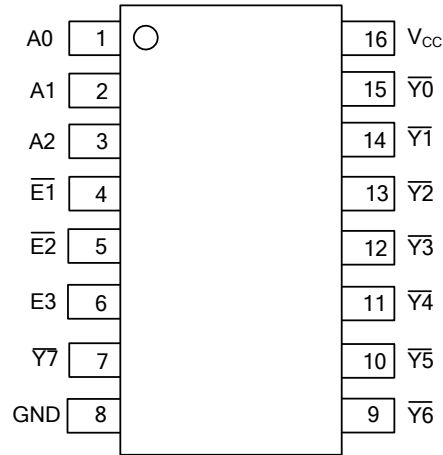
ORDERING INFORMATION

Ordering Number		Package	Packing
Lead Free	Halogen Free		
U74HCT138L-S16-T	U74HCT138G-S16-T	SOP-16	Tube
U74HCT138L-S16-R	U74HCT138G-S16-R	SOP-16	Tape Reel
U74HCT138L-R16-T	U74HCT138G-R16-T	SSOP-16	Tube
U74HCT138L-R16-R	U74HCT138G-R16-R	SSOP-16	Tape Reel
U74HCT138L-P16-T	U74HCT138G-P16-T	TSSOP-16	Tube
U74HCT138L-P16-R	U74HCT138G-P16-R	TSSOP-16	Tape Reel



<p>U74HCT138L-S16-T</p> <p>(1) Packing Type (2) Package Type (3) Lead Free</p>	<p>(1) T: Tube, R: Tape Reel (2) S16: SOP-16, R16: SSOP-16, P16: TSSOP-16 (3) L: Lead Free, G: Halogen Free</p>
--	---

■ PIN CONFIGURATION

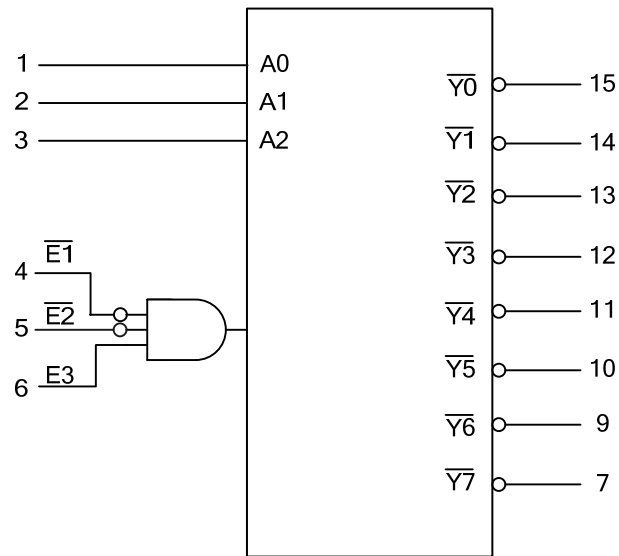


■ FUNCTION TABLE

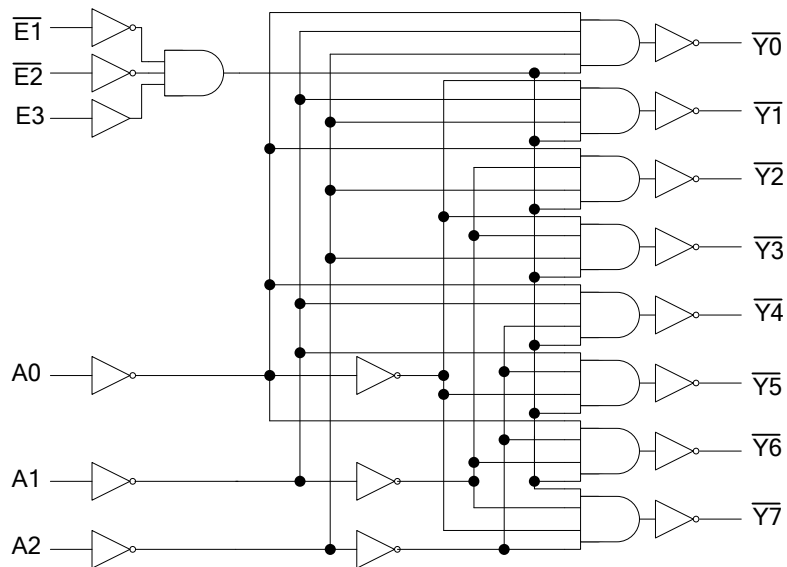
INPUTS						OUTPUTS							
$\overline{E1}$	$\overline{E2}$	E3	A0	A1	A2	$\overline{Y0}$	$\overline{Y1}$	$\overline{Y2}$	$\overline{Y3}$	$\overline{Y4}$	$\overline{Y5}$	$\overline{Y6}$	$\overline{Y7}$
H	X	X	X	X	X	H	H	H	H	H	H	H	H
X	H	X	X	X	X	H	H	H	H	H	H	H	H
X	X	L	X	X	X	H	H	H	H	H	H	H	H
L	L	H	L	L	L	L	H	H	H	H	H	H	H
L	L	H	H	L	L	H	L	H	H	H	H	H	H
L	L	H	L	H	L	H	H	L	H	H	H	H	H
L	L	H	H	H	L	H	H	H	L	H	H	H	H
L	L	H	L	L	H	H	H	H	H	L	H	H	H
L	L	H	H	L	H	H	H	H	H	H	L	H	H
L	L	H	L	H	H	H	H	H	H	H	H	L	H
L	L	H	H	H	H	H	H	H	H	H	H	H	L

Note: H : High voltage level L : Low voltage level X : Don't care

■ LOGIC SYMBOL



■ LOGIC DIAGRAM



■ ABSOLUTE MAXIMUM RATING

PARAMETER	SYMBOL	RATINGS	UNIT
Supply Voltage	V_{CC}	-0.5 ~ 7.0	V
Input Clamp Current($V_I < 0$ or $V_I > V_{CC}$)	I_{IK}	±20	mA
Output Clamp Current($V_O < 0$ or $V_O > V_{CC}$)	I_{OK}	±20	mA
Continuous Output Current($V_O = 0$ to V_{CC})	I_O	±25	mA
V_{CC} or GND Current	I_{CC}	±50	mA
Storage Temperature	T_{STG}	-65 ~ + 150	°C

Note: Absolute maximum ratings are those values beyond which the device could be permanently damaged. Absolute maximum ratings are stress ratings only and functional device operation is not implied.

■ RECOMMENDED OPERATING CONDITIONS

PARAMETER	SYMBOL	TEST CONDITIONS	MIN	TYP	MAX	UNIT
Supply Voltage	V_{CC}	Operating	4.5	5.0	5.5	V
Input Voltage	V_{IN}		0		V_{CC}	V
Output Voltage	V_{OUT}		0		V_{CC}	V
Operating Temperature	T_A		-40		+85	°C
Input Rise or Fall Times	t_R, t_F	$V_{CC}=4.5V\sim 5.5V$			500	ns

■ THERMAL CHARACTERISTICS

PARAMETER	SYMBOL	RATINGS	UNIT
Junction to Ambient	SOP-16	73	°C/W
	TSSOP-16	108	

■ ELECTRICAL CHARACTERISTICS($T_A=25^\circ C$)

PARAMETER	SYMBOL	TEST CONDITIONS	MIN	TYP	MAX	UNIT
High-Level input voltage	V_{IH}	$V_{CC}=4.5V\sim 5.5V$	2.0			V
Low-Level output voltage	V_{IL}	$V_{CC}=4.5V\sim 5.5V$			0.8	V
High-Level Output Voltage	V_{OH}	$V_{CC}=4.5V, I_{OH}=-20\mu A$	4.4	4.499		V
		$V_{CC}=4.5V, I_{OH}=-4mA$	3.98	4.3		V
Low-Level Output Voltage	V_{OL}	$V_{CC}=4.5V, I_{OL}=20\mu A$		0.001	0.1	V
		$V_{CC}=4.5V, I_{OL}=4mA$		0.17	0.26	V
Input Leakage Current	$I_{I(LEAK)}$	$V_{CC}=5.5V, V_{IN}=V_{CC}$ or GND		±0.1	±100	nA
Quiescent Supply Current	I_{CC}	$V_{CC}=5.5V, V_{IN}=V_{CC}$ or GND, $I_{OUT}=0$			8	μA
Additional Quiescent Supply Current	ΔI_{CC}	One input at 0.5V or 2.4V, other inputs at 0 or V_{CC}		1.4	2.4	mA
Input Capacitance	C_i	$V_{CC}=4.5V\sim 5.5V$		3	10	pF

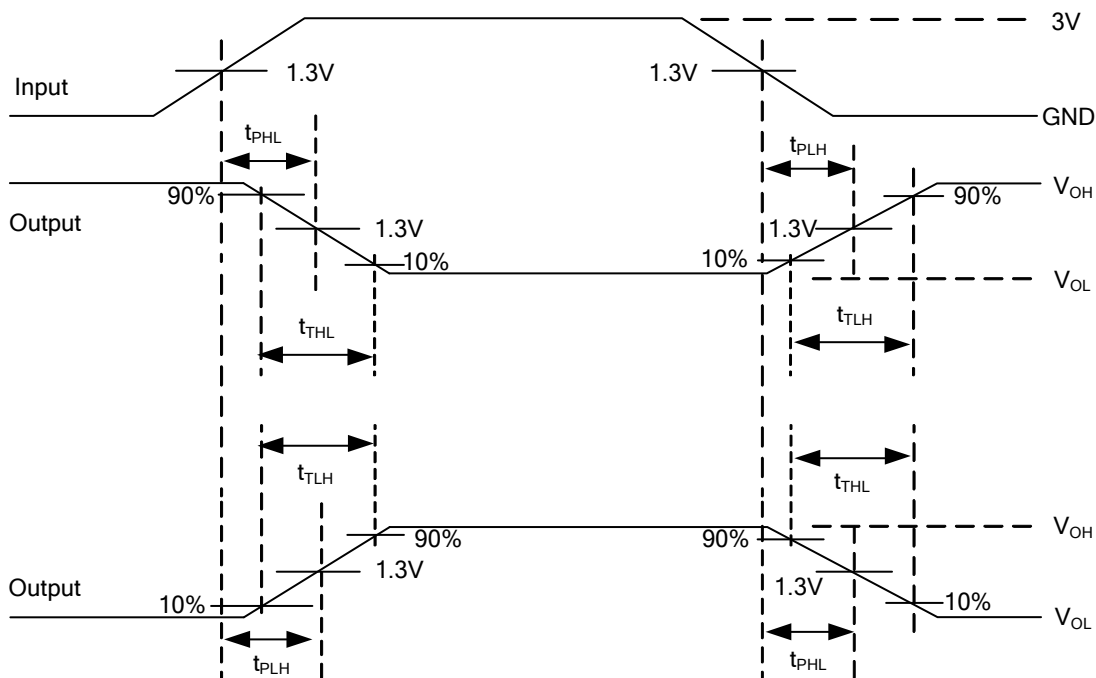
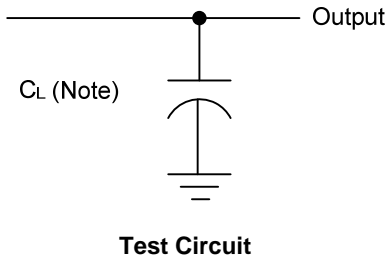
■ SWITCHING CHARACTERISTICS($T_A=25^\circ C$, see TEST CIRCUIT AND WAVEFORMS)

PARAMETER	SYMBOL	TEST CONDITIONS	MIN	TYP	MAX	UNIT
Propagation delay from input (A_n) to output (\bar{Y}_n)	t_{PLH}/t_{PHL}	$V_{CC}=4.5V, C_L=50pF$		23	36	ns
		$V_{CC}=5.5V, C_L=50pF$		17	32	ns
Propagation delay from input (\bar{E}_n) to output (\bar{Y}_n)	t_{PLH}/t_{PHL}	$V_{CC}=4.5V, C_L=50pF$		22	33	ns
		$V_{CC}=5.5V, C_L=50pF$		18	30	ns
Output Transition Time	t_{TLH}/t_{THL}	$V_{CC}=4.5V, C_L=50pF$		12	15	ns
		$V_{CC}=5.5V, C_L=50pF$		11	14	ns

■ OPERATING CHARACTERISTICS

PARAMETER	SYMBOL	TEST CONDITIONS	MIN	TYP	MAX	UNIT
Power Dissipation Capacitance	C_{PD}	No load		85		pF

■ TEST CIRCUIT AND WAVEFORMS



Propagation Delay and Output Transition Times

Note: C_L includes probe and jig capacitance.

All input pulses are supplied by generators having the following characteristics: Z_o = 50Ω, t_r = 6ns, t_f = 6ns.

UTC assumes no responsibility for equipment failures that result from using products at values that exceed, even momentarily, rated values (such as maximum ratings, operating condition ranges, or other parameters) listed in products specifications of any and all UTC products described or contained herein. UTC products are not designed for use in life support appliances, devices or systems where malfunction of these products can be reasonably expected to result in personal injury. Reproduction in whole or in part is prohibited without the prior written consent of the copyright owner. The information presented in this document does not form part of any quotation or contract, is believed to be accurate and reliable and may be changed without notice.