



A6966

LINEAR INTEGRATED CIRCUIT

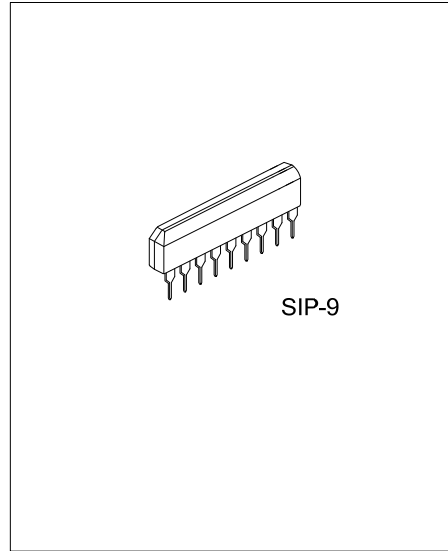
5 DOT LED LEVEL METER

DESCRIPTION

The UTC **A6966** is designed for 5 LED level meter driver in 9 lead SIP package. It consists of one input amplifier and five comparators for LED level indication.

FEATURES

- * Low Spurious Noise Operation.
- * Constant Current Output: $I_{OUT}=8mA$ (Typ.)
- * Indication Level Steps: 5dB, 5dB, 3dB, 3dB
- * Wide Operating Supply Voltage Range: $V_{CC} = 4\sim 12V$
- * Variable Input Amplifier Gain: $G_V = 0 \sim 20dB$

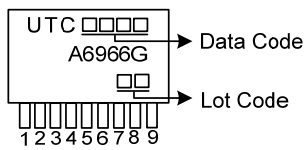


ORDERING INFORMATION

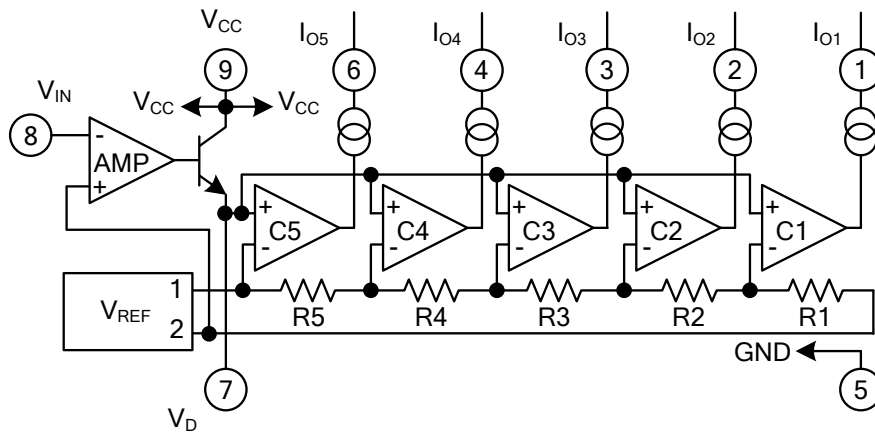
Ordering Number	Package	Packing
A6966G-G09-T	SIP-9	Tube

<p>A6966G-G09-T</p> <p>(1) Packing Type (2) Package Type (3) Green Package</p>	<p>(1) T: Tube (2) G09: SIP-9 (3) G: Halogen Free and Lead Free</p>
--	---

MARKING



■ BLOCK DIAGRAM



■ ABSOLUTE MAXIMUM RATINGS ($T_A = 25^\circ\text{C}$, unless otherwise specified)

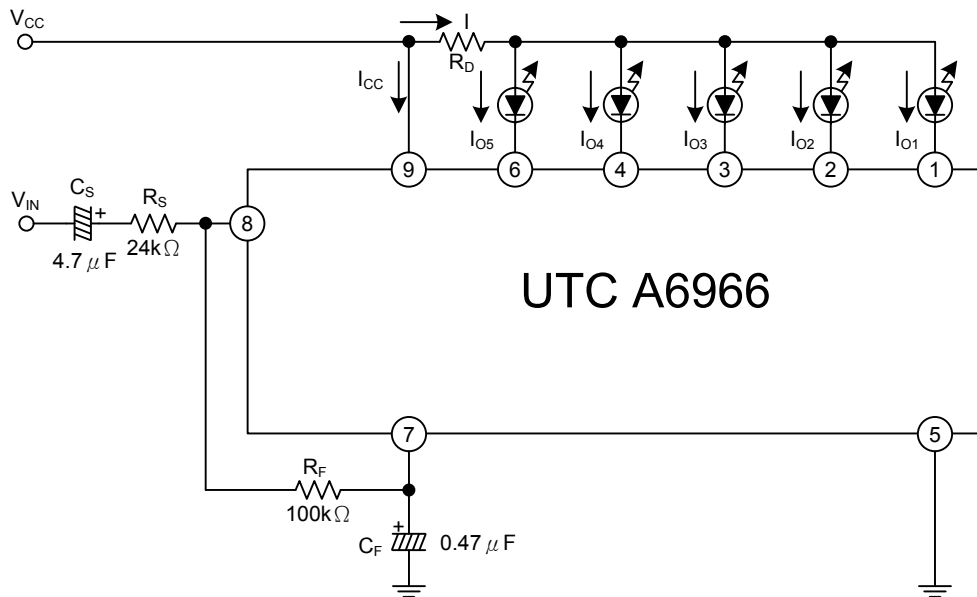
PARAMETER	SYMBOL	RATINGS	UNIT
Supply Voltage	V_{CC}	14	V
LED Driving Terminal Voltage	V_L	15	V
Power Dissipation	P_D	600	mW
Derated above $T_A = 25^\circ\text{C}$		4	mW/ $^\circ\text{C}$
Operating Temperature	T_{OPR}	-20 ~ +85	$^\circ\text{C}$
Storage Temperature	T_{STG}	-40 ~ +150	$^\circ\text{C}$

Note: Absolute maximum ratings are those values beyond which the device could be permanently damaged. Absolute maximum ratings are stress ratings only and functional device operation is not implied.

■ ELECTRICAL CHARACTERISTICS ($T_A = 25^\circ\text{C}$, $V_{CC} = 9\text{V}$, $f = 1\text{kHz}$, unless otherwise specified)

PARAMETER	SYMBOL	TEST CONDITIONS	MIN	TYP	MAX	UNIT
Quiescent Current	I_Q	$V_{IN} = 0\text{V}$		3	5	mA
Output Current	I_{OUT}		5	8	10	mA
Output Leak Current	$I_{OUT(OFF)}$				50	μA
Sensitivity	$V_{LD5(ON)}$	$R_S = 24\text{k}\Omega$, $R_F = 100\text{k}\Omega$		230		mV _{RMS}
LED Turn-on Input Level	D5	$R_S = 24\text{k}\Omega$, $R_F = 100\text{k}\Omega$ $I_{OUT} = 1\text{mA}$	-1	0	1	dB
	D4		-4	-3	-2	dB
	D3		-7.5	-6	-4.5	dB
	D2		-13	-11	-9	dB
	D1		-19	-16	-13	dB

■ TYPICAL APPLICATION CIRCUIT



UTC assumes no responsibility for equipment failures that result from using products at values that exceed, even momentarily, rated values (such as maximum ratings, operating condition ranges, or other parameters) listed in products specifications of any and all UTC products described or contained herein. UTC products are not designed for use in life support appliances, devices or systems where malfunction of these products can be reasonably expected to result in personal injury. Reproduction in whole or in part is prohibited without the prior written consent of the copyright owner. The information presented in this document does not form part of any quotation or contract, is believed to be accurate and reliable and may be changed without notice.