



UR233

LINEAR INTEGRATED CIRCUIT

LOW DROP FIXED AND ADJUSTABLE POSITIVE VOLTAGE REGULATORS

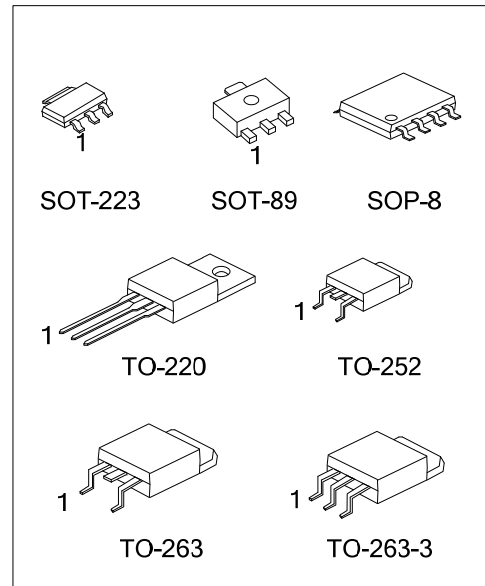
DESCRIPTION

The UTC **UR233** is a LOW DROP Voltage Regulator able to provide up to 0.8A of Output Current, available even in adjustable version ($V_{REF}=1.25V$). High efficiency is assured by NPN pass transistor. In fact in the case, unlike than PNP one, the Quiescent Current flows mostly into the load. Only a very common $10\mu F$ minimum capacitor is needed for stability. On chip trimming allows the regulator to reach a very tight output voltage tolerance, within $\pm 1\%$ at $25^\circ C$. The ADJUSTABLE **UR233** is pin to pin compatible with the other standard Adjustable voltage regulators maintaining the better performances in terms of Drop and Tolerance.

FEATURES

- *Low dropout voltage (1.5V Typ.)
- *Output current up to 0.8A
- *Fixed output voltage of: 1.7V, 1.8V, 2.5V, 2.85V, 3.0V, 3.3V, 5.0V
- *Adjustable version availability ($V_{REF}=1.25V$)
- *Internal current and thermal limit
- *Available in $\pm 1\%$ (at $25^\circ C$) and 2% in all temperature range
- *Supply voltage rejection: 75dB (TYP)

ORDERING INFORMATION



| Ordering Number | | Package | ① Pin Assignment | ② Packing |
|-------------------|-------------------|----------|--------------------------------------|-------------------------|
| Lead Free | Halogen Free | | | |
| UR233L-xx-AA3-①-② | UR233G-xx-AA3-①-② | SOT-223 | A: GOI B: OGI C: GIO D: IGO | R: Tape Reel T: Tube |
| UR233L-xx-AB3-①-② | UR233G-xx-AB3-①-② | SOT-89 | | |
| UR233L-xx-TA3-①-② | UR233G-xx-TA3-①-② | TO-220 | | |
| UR233L-xx-TN3-①-② | UR233G-xx-TN3-①-② | TO-252 | | |
| UR233L-xx-TQ2-①-② | UR233G-xx-TQ2-①-② | TO-263 | | |
| UR233L-xx-TQ3-①-② | UR233G-xx-TQ3-①-② | TO-263-3 | | |
| UR233L-xx-S08-①-② | UR233G-xx-S08-①-② | SOP-8 | | |

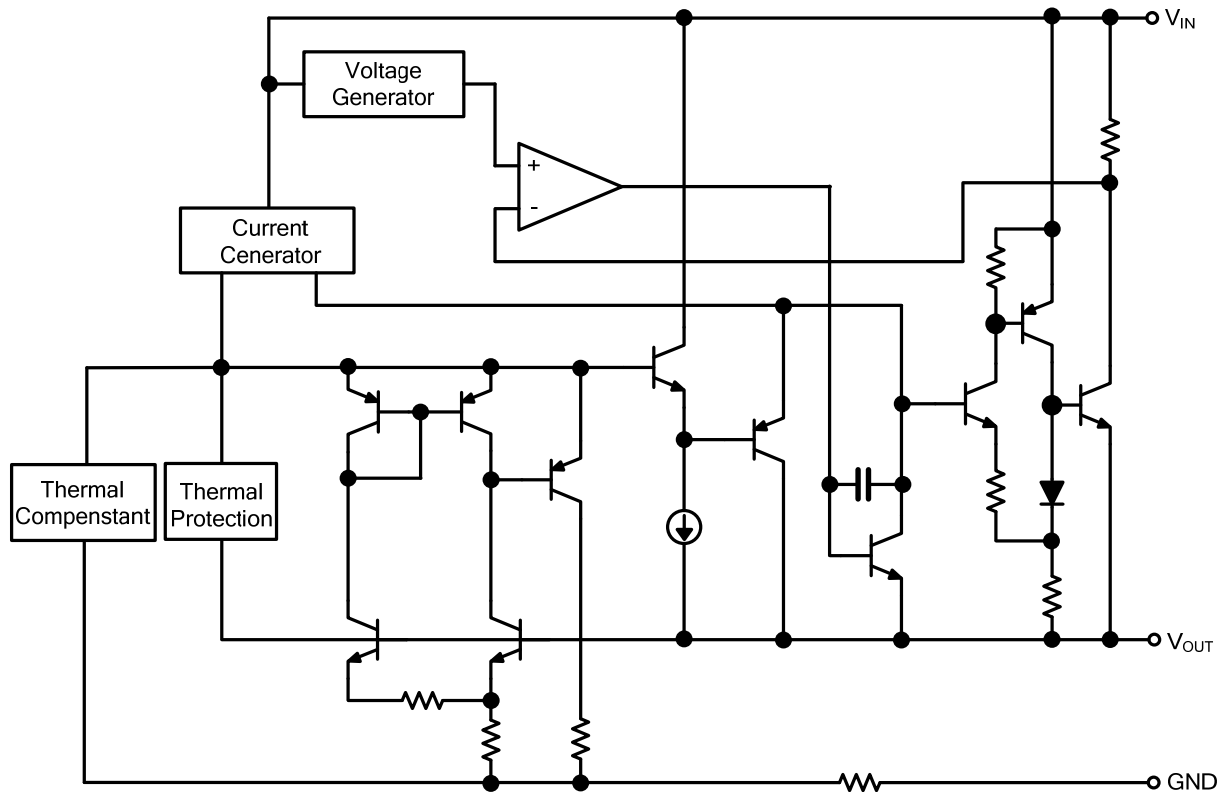
Note: Pin Assignment: I: V_{IN} O: V_{OUT} G: GND

| | |
|---|--|
| <p>UR233L-xx-AA3-①-②</p> <ul style="list-style-type: none"> (1) Packing Type (2) Pin Assignment (3) Package Type (4) Output Voltage Code (5) Lead Free | <ul style="list-style-type: none"> (1) R: Tape Reel, T: Tube (2) refer to Pin Assignment (3) AA3: SOT-223, AB3: SOT-89, TA3: TO-220, TN3: TO-252, TQ2: TO-263, TQ3: TO-263-3, S08: SOP-8 (4) xx: refer to Marking Information (5) G: Halogen Free, L: Lead Free |
|---|--|

MARKING INFORMATION

| PACKAGE | VOLTAGE CODE | MARKING |
|--|--|---|
| SOT-223 | 17: 1.7V 18: 1.8V 25: 2.5V 2J: 2.85V 30: 3.0V 33: 3.3V 50: 5.0V AD: ADJ | <p> L: Lead Free G: Halogen Free Pin Code Date Code Voltage Code </p> |
| SOT-89 | | <p> Voltage Code Pin Code L: Lead Free G: Halogen Free Date Code </p> |
| TO-220 TO-252 TO-263 TO-263-3 | | <p> L: Lead Free G: Halogen Free Pin Code Date Code Voltage Code </p> |
| SOP-8 | | <p> Date Code L: Lead Free G: Halogen Free Lot Code Voltage Code </p> |

■ BLOCK DIAGRAM



■ ABSOLUTE MAXIMUM RATINGS

| PARAMETER | | SYMBOL | VALUE | UNIT |
|--------------------------------|---------|-----------|------------|------|
| DC Input Voltage | | V_{IN} | 12 | V |
| Power Dissipation | SOT-223 | P_D | 0.740 | W |
| | SOT-89 | | 0.571 | |
| | SOP-8 | | 0.625 | |
| | TO-252 | | 1.471 | |
| | TO-220 | | 1.820 | |
| | TO-263 | | 2.222 | |
| Operating Junction Temperature | | T_{OPR} | -40 ~ +85 | °C |
| Storage Temperature | | T_{STG} | -65 ~ +150 | °C |

Note: Absolute maximum ratings are those values beyond which the device could be permanently damaged.

Absolute maximum ratings are stress ratings only and functional device operation is not implied.

■ THERMAL DATA

| PARAMETER | | SYMBOL | RATING | UNIT |
|---------------------|---------|---------------|--------|------|
| Junction-to-Ambient | SOT-223 | θ_{JA} | 135 | °C/W |
| | SOT-89 | | 175 | |
| | SOP-8 | | 160 | |
| | TO-252 | | 68 | |
| | TO-220 | | 55 | |
| | TO-263 | | 45 | |
| Junction-to-Case | SOT-223 | θ_{JC} | 19 | °C/W |
| | SOT-89 | | 48 | |
| | SOP-8 | | 45 | |
| | TO-252 | | 7.5 | |
| | TO-220 | | 15 | |
| | TO-263 | | 7.8 | |

■ ELECTRICAL CHARACTERISTICS ($T_J=0 \sim 125^\circ\text{C}$, unless otherwise specified)

For UR233-1.7

| PARAMETER | SYMBOL | TEST CONDITIONS | MIN. | TYP. | MAX. | UNIT | |
|--------------------------|------------------|--|------|-------|-------|-------|---|
| Output Voltage | V_{OUT} | $V_{IN}=3.7\text{V}$, $I_{OUT}=10\text{mA}$, $T_J=25^\circ\text{C}$ | ±1% | 1.683 | 1.700 | 1.717 | V |
| Output Voltage | V_{OUT} | $V_{IN}=3.1 \sim 10\text{V}$, $I_{OUT}=2 \sim 800\text{mA}$ | ±2% | 1.666 | | 1.734 | V |
| Line Regulation | ΔV_{OUT} | $V_{IN}=3.1 \sim 10\text{V}$, $I_{OUT}=2\text{mA}$ | | 1 | 6 | mV | |
| Load Regulation | ΔV_{OUT} | $V_{IN}=3.1\text{V}$, $I_{OUT}=2 \sim 800\text{mA}$ | | 1 | 10 | mV | |
| Temperature Stability | ΔV_{OUT} | | | 0.5 | | % | |
| Long Term Stability | ΔV_{OUT} | 1000 hrs, $T_J=125^\circ\text{C}$ | | 0.3 | | % | |
| Operating Input Voltage | V_{IN} | $I_{OUT}=100\text{mA}$ | | | 12 | V | |
| Quiescent Current | I_Q | $V_{IN}=10\text{V}$ | | 5 | 10 | mA | |
| Output Current | I_{OUT} | $V_{IN}=6.7\text{V}$, $T_J=25^\circ\text{C}$ | 800 | 950 | 1200 | mA | |
| Output Noise Voltage | e_N | $B=10\text{Hz} \sim 10\text{KHz}$, $T_J=25^\circ\text{C}$ | | 100 | | μV | |
| Supply Voltage Rejection | SVR | $I_{OUT}=40\text{mA}$, $f=120\text{Hz}$, $T_J=25^\circ\text{C}$, $V_{IN}=4.7\text{V}$, $V_{RIPPLE}=1V_{PP}$ | 60 | 75 | | dB | |
| Dropout Voltage | V_D | | | | 1.50 | V | |
| Thermal Regulation | | $T_A=25^\circ\text{C}$, 30ms Pulse | | 0.01 | 0.10 | %/W | |

■ ELECTRICAL CHARACTERISTICS(Cont.)

For UR233-1.8

| PARAMETER | SYMBOL | TEST CONDITIONS | MIN. | TYP. | MAX. | UNIT | |
|--------------------------|------------------|---|-----------|-------|-------|-------|---------|
| Output Voltage | V_{OUT} | $V_{IN}=3.8V, I_{OUT}=10mA, T_J=25^{\circ}C$ | $\pm 1\%$ | 1.782 | 1.800 | 1.818 | V |
| Output Voltage | V_{OUT} | $V_{IN}=3.2 \sim 10V, I_{OUT}=2 \sim 800mA$ | $\pm 2\%$ | 1.764 | | 1.836 | V |
| Line Regulation | ΔV_{OUT} | $V_{IN}=3.2 \sim 10V, I_{OUT}=2mA$ | | 1 | 6 | | mV |
| Load Regulation | ΔV_{OUT} | $V_{IN}=3.2V, I_{OUT}=2 \sim 800mA$ | | 1 | 10 | | mV |
| Temperature Stability | ΔV_{OUT} | | | 0.5 | | | % |
| Long Term Stability | ΔV_{OUT} | 1000 hrs, $T_J=125^{\circ}C$ | | 0.3 | | | % |
| Operating Input Voltage | V_{IN} | $I_O=100mA$ | | | 12 | | V |
| Quiescent Current | I_Q | $V_{IN}=10V$ | | 5 | 10 | | mA |
| Output Current | I_{OUT} | $V_{IN}=6.8V, T_J=25^{\circ}C$ | 800 | 950 | 1200 | | mA |
| Output Noise Voltage | e_N | $B=10Hz \sim 10KHz, T_J=25^{\circ}C$ | | 100 | | | μV |
| Supply Voltage Rejection | SVR | $I_{OUT}=40mA, f=120Hz, T_J=25^{\circ}C, V_{IN}=4.8V, V_{RIPPLE}=1V_{PP}$ | 60 | 75 | | | dB |
| Dropout Voltage | V_D | | | | 1.50 | | V |
| Thermal Regulation | | $T_A=25^{\circ}C, 30ms$ Pulse | | 0.01 | 0.10 | | %/W |

For UR233-2.5

| PARAMETER | SYMBOL | TEST CONDITIONS | MIN. | TYP. | MAX. | UNIT | |
|--------------------------|------------------|---|-----------|-------|-------|-------|---------|
| Output Voltage | V_{OUT} | $V_{IN}=4.5V, I_{OUT}=10mA, T_J=25^{\circ}C$ | $\pm 1\%$ | 2.475 | 2.500 | 2.525 | V |
| Output Voltage | V_{OUT} | $V_{IN}=3.9 \sim 10V, I_{OUT}=2 \sim 800mA$ | $\pm 2\%$ | 2.450 | | 2.550 | V |
| Line Regulation | ΔV_{OUT} | $V_{IN}=3.9 \sim 10V, I_{OUT}=2mA$ | | 1 | 6 | | mV |
| Load Regulation | ΔV_{OUT} | $V_{IN}=3.9V, I_{OUT}=2 \sim 800mA$ | | 1 | 10 | | mV |
| Temperature Stability | ΔV_{OUT} | | | 0.5 | | | % |
| Long Term Stability | ΔV_{OUT} | 1000 hrs, $T_J=125^{\circ}C$ | | 0.3 | | | % |
| Operating Input Voltage | V_{IN} | $I_{OUT}=100mA$ | | | 12 | | V |
| Quiescent Current | I_Q | $V_{IN}=10V$ | | 5 | 10 | | mA |
| Output Current | I_{OUT} | $V_{IN}=7.5V, T_J=25^{\circ}C$ | 800 | 950 | 1200 | | mA |
| Output Noise Voltage | e_N | $B=10Hz \sim 10KHz, T_J=25^{\circ}C$ | | 100 | | | μV |
| Supply Voltage Rejection | SVR | $I_{OUT}=40mA, f=120Hz, T_J=25^{\circ}C, V_{IN}=5.5V, V_{RIPPLE}=1V_{PP}$ | 60 | 75 | | | dB |
| Dropout Voltage | V_D | | | | 1.50 | | V |
| Thermal Regulation | | $T_A=25^{\circ}C, 30ms$ Pulse | | 0.01 | 0.10 | | %/W |

■ ELECTRICAL CHARACTERISTICS(Cont.)

For UR233-2.85

| PARAMETER | SYMBOL | TEST CONDITIONS | MIN. | TYP. | MAX. | UNIT | |
|--------------------------|------------------|--|-----------|-------|------|-------|---------|
| Output Voltage | V_{OUT} | $V_{IN}=4.85V, I_{OUT}=10mA, T_J=25^{\circ}C$ | $\pm 1\%$ | 2.822 | 2.85 | 2.878 | V |
| Output Voltage | V_{OUT} | $V_{IN}=4.25 \sim 10V, I_{OUT}=2 \sim 800mA$ | $\pm 2\%$ | 2.793 | | 2.907 | V |
| Line Regulation | ΔV_{OUT} | $V_{IN}=4.25 \sim 10V, I_{OUT}=2mA$ | | 1 | 6 | | mV |
| Load Regulation | ΔV_{OUT} | $V_{IN}=4.25V, I_{OUT}=2 \sim 800mA$ | | 1 | 10 | | mV |
| Temperature Stability | ΔV_{OUT} | | | 0.5 | | | % |
| Long Term Stability | ΔV_{OUT} | 1000 hrs, $T_J=125^{\circ}C$ | | 0.3 | | | % |
| Operating Input Voltage | V_{IN} | $I_{OUT}=100mA$ | | | 12 | | V |
| Quiescent Current | I_Q | $V_{IN}=10V$ | | 5 | 10 | | mA |
| Output Current | I_{OUT} | $V_{IN}=7.85V, T_J=25^{\circ}C$ | 800 | 950 | 1200 | | mA |
| Output Noise Voltage | e_N | $B=10Hz \sim 10KHz, T_J=25^{\circ}C$ | | 100 | | | μV |
| Supply Voltage Rejection | SVR | $I_{OUT}=40mA, f=120Hz, T_J=25^{\circ}C, V_{IN}=5.85V, V_{RIPPLE}=1V_{PP}$ | 60 | 75 | | | dB |
| Dropout Voltage | V_D | | | | 1.50 | | V |
| Thermal Regulation | | $T_A=25^{\circ}C, 30ms$ Pulse | | 0.01 | 0.10 | | %/W |

For UR233-3.0

| PARAMETER | SYMBOL | TEST CONDITIONS | MIN. | TYP. | MAX. | UNIT | |
|--------------------------|------------------|---|-----------|------|------|------|---------|
| Output Voltage | V_{OUT} | $V_{IN}=5V, I_{OUT}=10mA, T_J=25^{\circ}C$ | $\pm 1\%$ | 2.97 | 3.00 | 3.03 | V |
| Output Voltage | V_{OUT} | $V_{IN}=4.5 \sim 12V, I_{OUT}=2 \sim 800mA$ | $\pm 2\%$ | 2.94 | | 3.06 | V |
| Line Regulation | ΔV_{OUT} | $V_{IN}=4.5 \sim 12V, I_{OUT}=2mA$ | | 1 | 6 | | mV |
| Load Regulation | ΔV_{OUT} | $V_{IN}=4.5V, I_{OUT}=2 \sim 800mA$ | | 1 | 10 | | mV |
| Temperature Stability | ΔV_{OUT} | | | 0.5 | | | % |
| Long Term Stability | ΔV_{OUT} | 1000 hrs, $T_J=125^{\circ}C$ | | 0.3 | | | % |
| Operating Input Voltage | V_{IN} | $I_{OUT}=100mA$ | | | 12 | | V |
| Quiescent Current | I_Q | $V_{IN}=12V$ | | 5 | 10 | | mA |
| Output Current | I_{OUT} | $V_{IN}=8V, T_J=25^{\circ}C$ | 800 | 950 | 1200 | | mA |
| Output Noise Voltage | e_N | $B=10Hz \sim 10KHz, T_J=25^{\circ}C$ | | 100 | | | μV |
| Supply Voltage Rejection | SVR | $I_{OUT}=40mA, f=120Hz, T_J=25^{\circ}C, V_{IN}=6V, V_{RIPPLE}=1V_{PP}$ | 60 | 75 | | | dB |
| Dropout Voltage | V_D | | | | 1.50 | | V |
| Thermal Regulation | | $T_A=25^{\circ}C, 30ms$ Pulse | | 0.01 | 0.10 | | %/W |

■ ELECTRICAL CHARACTERISTICS(Cont.)

For UR233-3.3

| PARAMETER | SYMBOL | TEST CONDITIONS | MIN. | TYP. | MAX. | UNIT | |
|--------------------------|------------------|---|-----------|-------|-------|-------|---------|
| Output Voltage | V_{OUT} | $V_{IN}=5.3V, I_{OUT}=10mA, T_J=25^{\circ}C$ | $\pm 1\%$ | 3.267 | 3.300 | 3.333 | V |
| Output Voltage | V_{OUT} | $V_{IN}=4.8 \sim 12V, I_{OUT}=2 \sim 800mA$ | $\pm 2\%$ | 3.234 | | 3.366 | V |
| Line Regulation | ΔV_{OUT} | $V_{IN}=4.8 \sim 12V, I_{OUT}=2mA$ | | 1 | 6 | | mV |
| Load Regulation | ΔV_{OUT} | $V_{IN}=4.8V, I_{OUT}=2 \sim 800mA$ | | 1 | 10 | | mV |
| Temperature Stability | ΔV_{OUT} | | | 0.5 | | | % |
| Long Term Stability | ΔV_{OUT} | 1000 hrs, $T_J=125^{\circ}C$ | | 0.3 | | | % |
| Operating Input Voltage | V_{IN} | $I_{OUT}=100mA$ | | | 12 | | V |
| Quiescent Current | I_Q | $V_{IN}=12V$ | | 5 | 10 | | mA |
| Output Current | I_{OUT} | $V_{IN}=8.3V, T_J=25^{\circ}C$ | 800 | 950 | 1200 | | mA |
| Output Noise Voltage | e_N | $B=10Hz \sim 10KHz, T_J=25^{\circ}C$ | | 100 | | | μV |
| Supply Voltage Rejection | SVR | $I_{OUT}=40mA, f=120Hz, T_J=25^{\circ}C, V_{IN}=6.3V, V_{RIPPLE}=1V_{PP}$ | 60 | 75 | | | dB |
| Dropout Voltage | V_D | | | | 1.50 | | V |
| Thermal Regulation | | $T_A=25^{\circ}C, 30ms$ Pulse | | 0.01 | 0.10 | | %/W |

For UR233-5.0

| PARAMETER | SYMBOL | TEST CONDITIONS | MIN. | TYP. | MAX. | UNIT | |
|--------------------------|------------------|---|-----------|------|------|------|---------|
| Output Voltage | V_{OUT} | $V_{IN}=7V, I_{OUT}=10mA, T_J=25^{\circ}C$ | $\pm 1\%$ | 4.95 | 5.00 | 5.05 | V |
| Output Voltage | V_{OUT} | $V_{IN}=6.5 \sim 12V, I_{OUT}=2 \sim 800mA$ | $\pm 2\%$ | 4.90 | | 5.10 | V |
| Line Regulation | ΔV_{OUT} | $V_{IN}=6.5 \sim 12V, I_{OUT}=2mA$ | | 1 | 10 | | mV |
| Load Regulation | ΔV_{OUT} | $V_{IN}=6.5V, I_{OUT}=2 \sim 800mA$ | | 1 | 15 | | mV |
| Temperature Stability | ΔV_{OUT} | | | 0.5 | | | % |
| Long Term Stability | ΔV_{OUT} | 1000 hrs, $T_J=125^{\circ}C$ | | 0.3 | | | % |
| Operating Input Voltage | V_{IN} | $I_{OUT}=100mA$ | | | 12 | | V |
| Quiescent Current | I_Q | $V_{IN}=12V$ | | 5 | 10 | | mA |
| Output Current | I_{OUT} | $V_{IN}=10V, T_J=25^{\circ}C$ | 800 | 950 | 1200 | | mA |
| Output Noise Voltage | e_N | $B=10Hz \sim 10KHz, T_J=25^{\circ}C$ | | 100 | | | μV |
| Supply Voltage Rejection | SVR | $I_{OUT}=40mA, f=120Hz, T_J=25^{\circ}C, V_{IN}=8V, V_{RIPPLE}=1V_{PP}$ | 60 | 75 | | | dB |
| Dropout Voltage | V_D | | | | 1.50 | | V |
| Thermal Regulation | | $T_A=25^{\circ}C, 30ms$ Pulse | | 0.01 | 0.10 | | %/W |

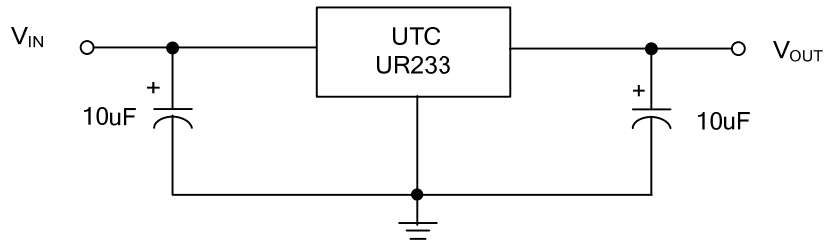
■ ELECTRICAL CHARACTERISTICS(Cont.)

UR233-ADJ

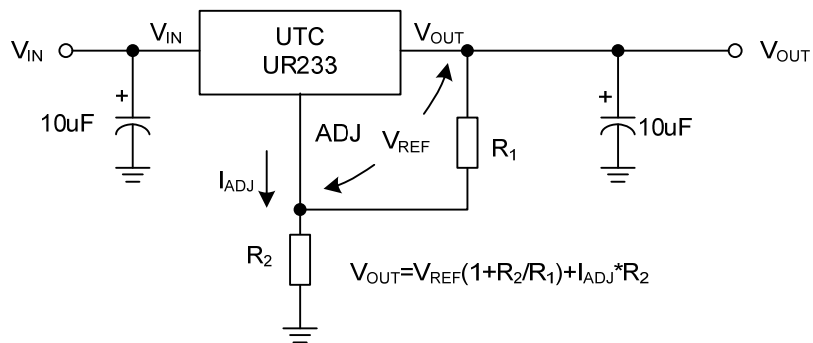
| PARAMETER | SYMBOL | TEST CONDITIONS | MIN. | TYP. | MAX. | UNIT | |
|-------------------------------|------------------|--|-----------|-------|-------|-------|---------|
| Reference Voltage | V_{REF} | $V_{IN} - V_{OUT} = 2V, I_{OUT} = 10mA, T_J = 25^\circ C$ | $\pm 1\%$ | 1.238 | 1.25 | 1.262 | V |
| Reference Voltage | V_{REF} | $V_{IN} = V_{OUT} + 1.5V \sim 10V, I_{OUT} = 10 \sim 800mA$ | $\pm 2\%$ | 1.225 | | 1.275 | V |
| Line Regulation | ΔV_{OUT} | $V_{IN} = V_{OUT} + 1.5V \sim 10V, I_{OUT} = 10mA$ | | 0.035 | 0.200 | | % |
| Load Regulation | ΔV_{OUT} | $V_{IN} - V_{OUT} = 3V, I_{OUT} = 10 \sim 800mA$ | | 0.10 | 0.400 | | % |
| Temperature Stability | ΔV_{OUT} | | | 0.50 | | | % |
| Long Term Stability | ΔV_{OUT} | 1000 hrs, $T_J = 125^\circ C$ | | 0.3 | | | % |
| Operating Input Voltage | V_{IN} | | | | 12 | | V |
| Adjustment Pin Current | I_{ADJ} | $V_{IN} \leq 12V$ | | 60 | 120 | | μA |
| Adjustment Pin Current Change | ΔI_{ADJ} | $V_{IN} = V_{OUT} + 1.5V \sim 10V, I_{OUT} = 10 \sim 800mA$ | | 1 | 5 | | μA |
| Minimum Load Current | $I_{OUT(MIN)}$ | $V_{IN} = 12V$ | | 2 | 5 | | mA |
| Output Current | I_{OUT} | $V_{IN} - V_{OUT} = 5V, T_J = 25^\circ C$ | 800 | 950 | 1200 | | mA |
| Output Noise (%Vo) | e_N | $B = 10Hz \sim 10KHz, T_J = 25^\circ C$ | | 0.003 | | | % |
| Supply Voltage Rejection | SVR | $I_{OUT} = 40mA, f = 120Hz, T_J = 25^\circ C, V_{IN} - V_{OUT} = 3V, V_{RIPPLE} = 1V_{PP}$ | 60 | 75 | | | dB |
| Dropout Voltage | V_D | | | | 1.50 | | V |
| Thermal Regulation | | $T_A = 25^\circ C, 30ms$ Pulse | | 0.01 | 0.10 | | %/W |

■ APPLICATION CIRCUITS

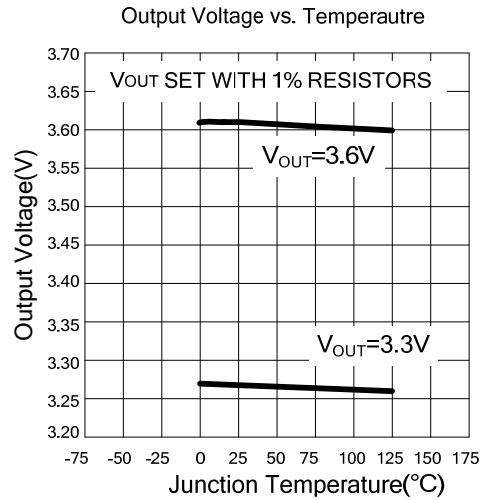
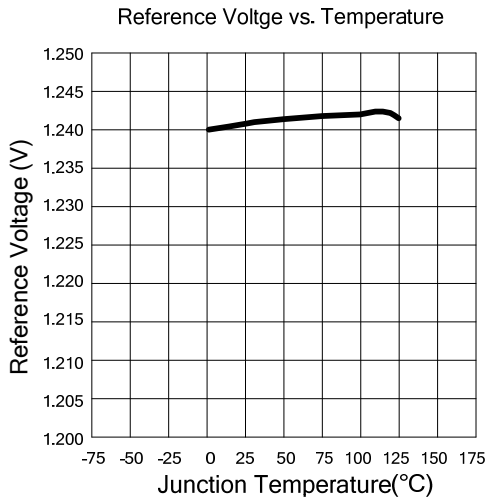
FIXED VOLTAGE



ADJUSTABLE



■ TYPICAL CHARACTERISTICS



UTC assumes no responsibility for equipment failures that result from using products at values that exceed, even momentarily, rated values (such as maximum ratings, operating condition ranges, or other parameters) listed in products specifications of any and all UTC products described or contained herein. UTC products are not designed for use in life support appliances, devices or systems where malfunction of these products can be reasonably expected to result in personal injury. Reproduction in whole or in part is prohibited without the prior written consent of the copyright owner. The information presented in this document does not form part of any quotation or contract, is believed to be accurate and reliable and may be changed without notice.