

Preliminary specification

Specification

CUN*AF4A

SVC CONFIDENTIAL

SVC		Customer
Drawn	Approval	Approval

[Contents]

1. Description
2. Outline dimensions
3. Characteristics of CUN*AF4A
4. Characteristic diagrams
5. Binning & Labeling
6. Reel packing
7. Recommended solder pad
8. Reflow Soldering profile
9. Precaution for use
10. Revision history

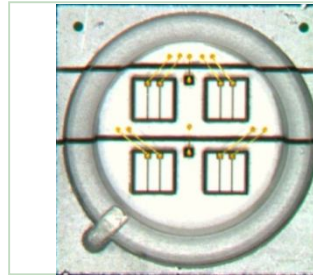
CUN*AF4A

Description

High power UV LED series are designed for high current operation and high power output applications.

It incorporates state of the art SMD design and low thermal resistant material.

AAP63 is ideal UV light source for curing, printing, and detecting applications.



CUN*AF4A

Features

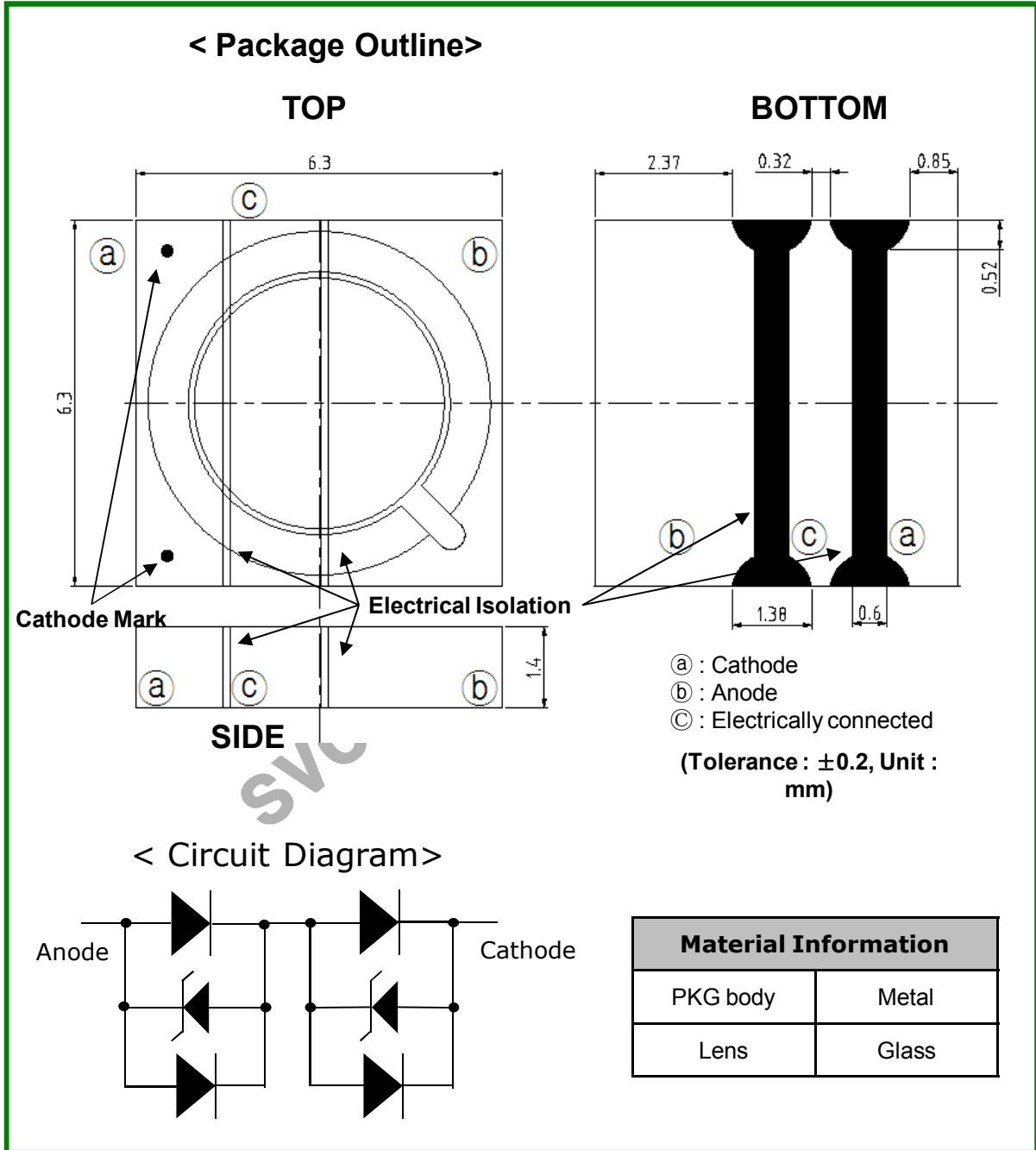
- Super high power output
- Designed for high current operation
- Low thermal resistance
- SMT solderable
- Lead Free product
- RoHS compliant

Applications

- UV Curing
- Printing
- Coating
- Adhesive
- Counterfeit Detection/ Security
- UV Torch
- Fluorescence Photography
- Dental Curing
- Crime Inspection
- Oil leak Detection

SVC CONFIDENTIAL

Outline dimensions



Notes :

- [1] All dimensions are in millimeters.
- [2] Scale : none
- [3] Undefined tolerance is ±0.2mm

Characteristics of CUN6AF4A

1. CUN6AF4A

1-1 Electro-Optical characteristics at 1A

(T_a=25°C, RH=30%)

Parameter	Symbol	Value	Unit
Peak wavelength [1]	λ_p	365	nm
Radiant Flux [2]	Φ_e [3]	2350	mW
Forward Voltage [4]	V _F	7.8	V
Spectrum Half Width	$\Delta \lambda$	9	nm
View Angle	2 $\Theta_{1/2}$	116	deg.
Thermal resistance	R θ_{j-b} [5]	3.3	°C /W

1-2 Absolute Maximum Ratings

Parameter	Symbol	Value	Unit
Forward Current	I _F	1400	mA
Junction Temperature	T _j	125	°C
Operating Temperature	T _{opr}	-10 ~ +85	°C
Storage Temperature	T _{stg}	-40 ~ +100	°C

Notes :

1. Peak Wavelength Measurement tolerance : ±3nm
2. Radiant Flux Measurement tolerance : ± 10%
3. Φ_e is the Total Radiant Flux as measured with an integrated sphere.
4. Forward Voltage Measurement tolerance : ±3%
5. R θ_{j-b} is the thermal resistance between chip junction to PCB board bottom.
The PCB is made of aluminum and the size of PCB is 3.5mm by 3.5mm

Characteristics of CUN6AF4A

1. CUN8AF4A

1-1 Electro-Optical characteristics at 1A

($T_a=25^{\circ}\text{C}$, RH=30%)

Parameter	Symbol	Value	Unit
Peak wavelength [1]	λ_p	385	nm
Radiant Flux [2]	Φ_e [3]	3750	mW
Forward Voltage [4]	V_F	7.4	V
Spectrum Half Width	$\Delta \lambda$	12	nm
View Angle	$2\theta_{1/2}$	116	deg.
Thermal resistance	R_{θ_j-b} [5]	2.3	$^{\circ}\text{C} / \text{W}$

1-2 Absolute Maximum Ratings

Parameter	Symbol	Value	Unit
Forward Current	I_F	1400	mA
Junction Temperature	T_j	125	$^{\circ}\text{C}$
Operating Temperature	T_{opr}	-10 ~ +85	$^{\circ}\text{C}$
Storage Temperature	T_{stg}	-40 ~ +100	$^{\circ}\text{C}$

Notes :

1. Peak Wavelength Measurement tolerance : $\pm 3\text{nm}$
2. Radiant Flux Measurement tolerance : $\pm 10\%$
3. Φ_e is the Total Radiant Flux as measured with an integrated sphere.
4. Forward Voltage Measurement tolerance : $\pm 3\%$
5. R_{θ_j-b} is the thermal resistance between chip junction to PCB board bottom
The PCB is made of aluminum and the size of PCB is 3.5mm by 3.5mm

Characteristics of CUN6AF4A

1. CUN9AF4A

1-1 Electro-Optical characteristics at 1A

($T_a=25^{\circ}\text{C}$, RH=30%)

Parameter	Symbol	Value	Unit
Peak wavelength [1]	λ_p	395	nm
Radiant Flux [2]	Φ_e [3]	3750	mW
Forward Voltage [4]	V_F	7.2	V
Spectrum Half Width	$\Delta \lambda$	14	nm
View Angle	$2\theta_{1/2}$	116	deg.
Thermal resistance	$R_{\theta_{j-b}}$ [5]	2.3	$^{\circ}\text{C} / \text{W}$

1-2 Absolute Maximum Ratings

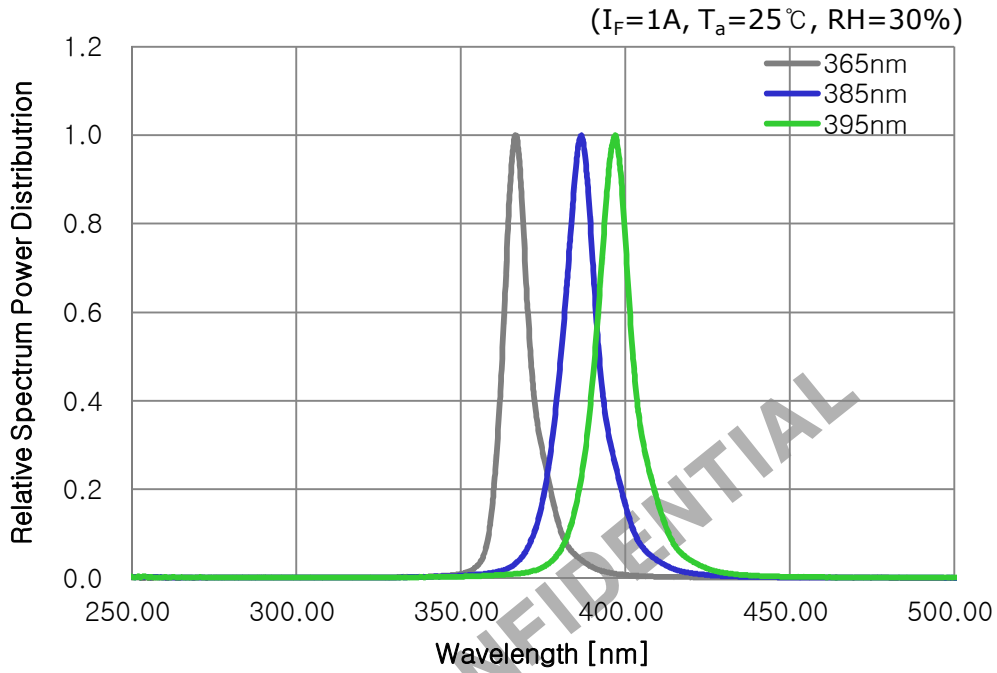
Parameter	Symbol	Value	Unit
Forward Current	I_F	1400	mA
Junction Temperature	T_j	125	$^{\circ}\text{C}$
Operating Temperature	T_{opr}	-10 ~ +85	$^{\circ}\text{C}$
Storage Temperature	T_{stg}	-40 ~ +100	$^{\circ}\text{C}$

Notes :

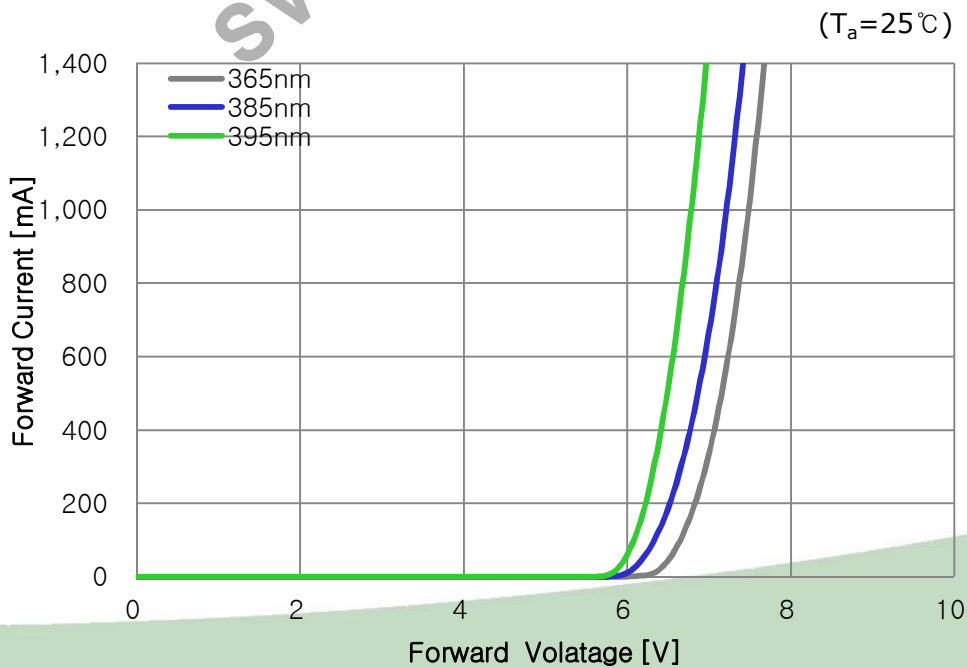
1. Peak Wavelength Measurement tolerance : $\pm 3\text{nm}$
2. Radiant Flux Measurement tolerance : $\pm 10\%$
3. Φ_e is the Total Radiant Flux as measured with an integrated sphere.
4. Forward Voltage Measurement tolerance : $\pm 3\%$
5. $R_{\theta_{j-b}}$ is the thermal resistance between chip junction to PCB board bottom
The PCB is made of aluminum and the size of PCB is 3.5mm by 3.5mm

Characteristic Diagrams

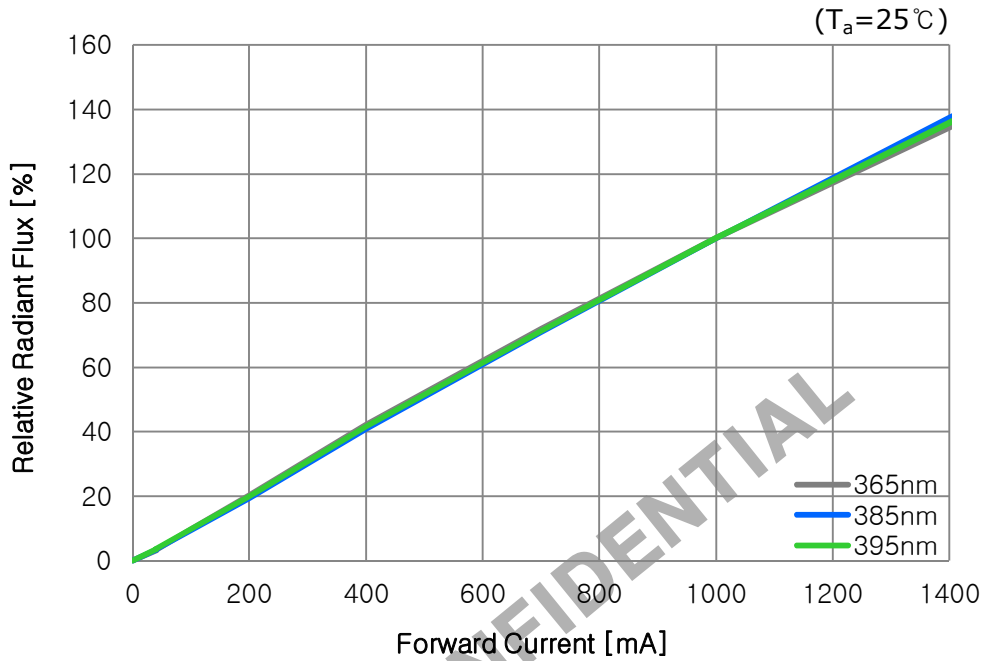
1. Relative Spectral Power Distribution



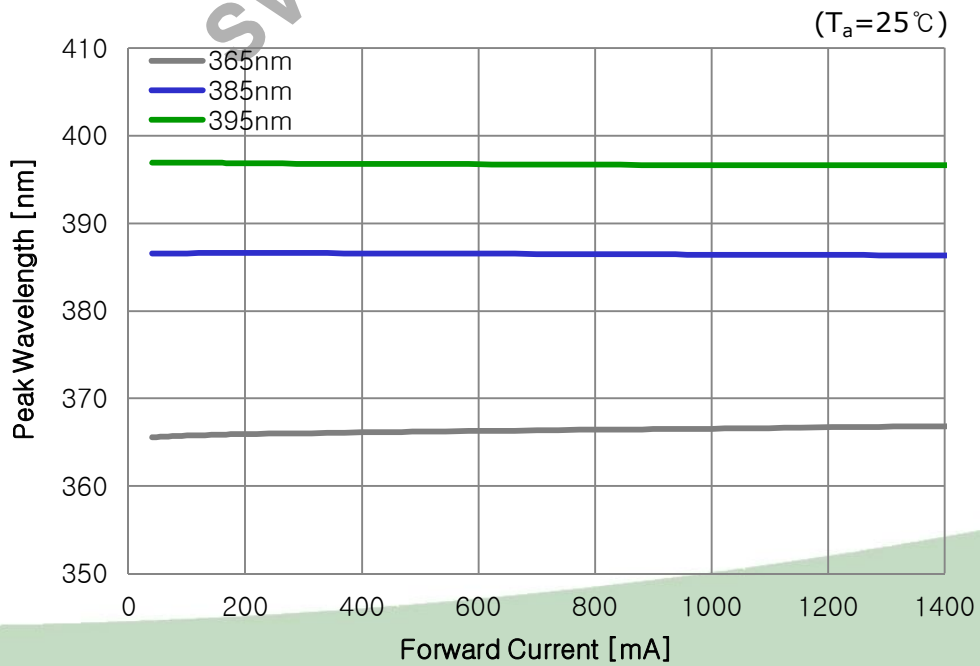
2. Forward Current VS Forward Voltage



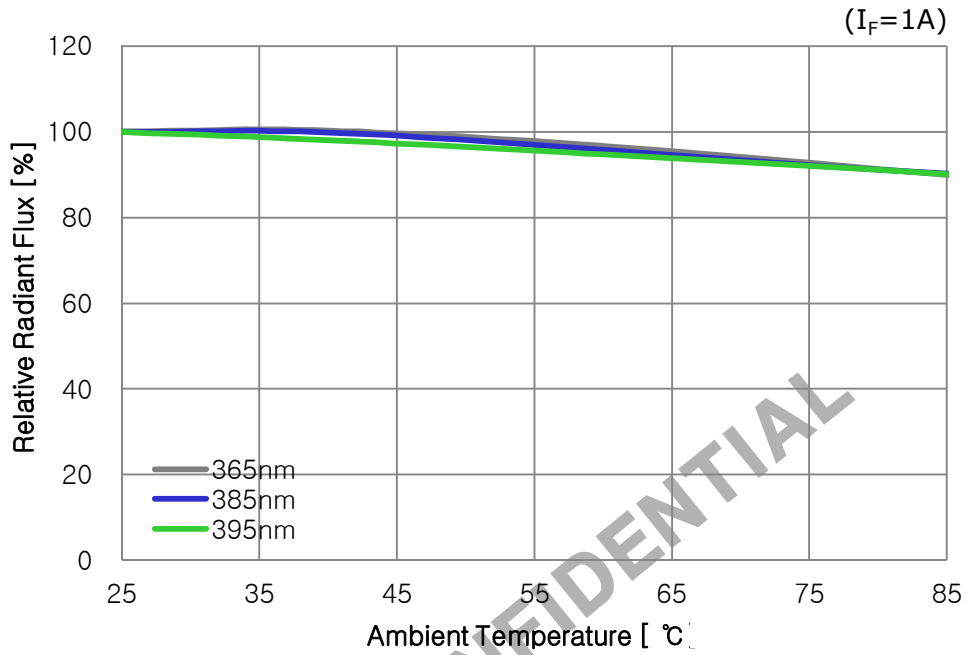
3. Relative Radiant Flux VS Forward Current



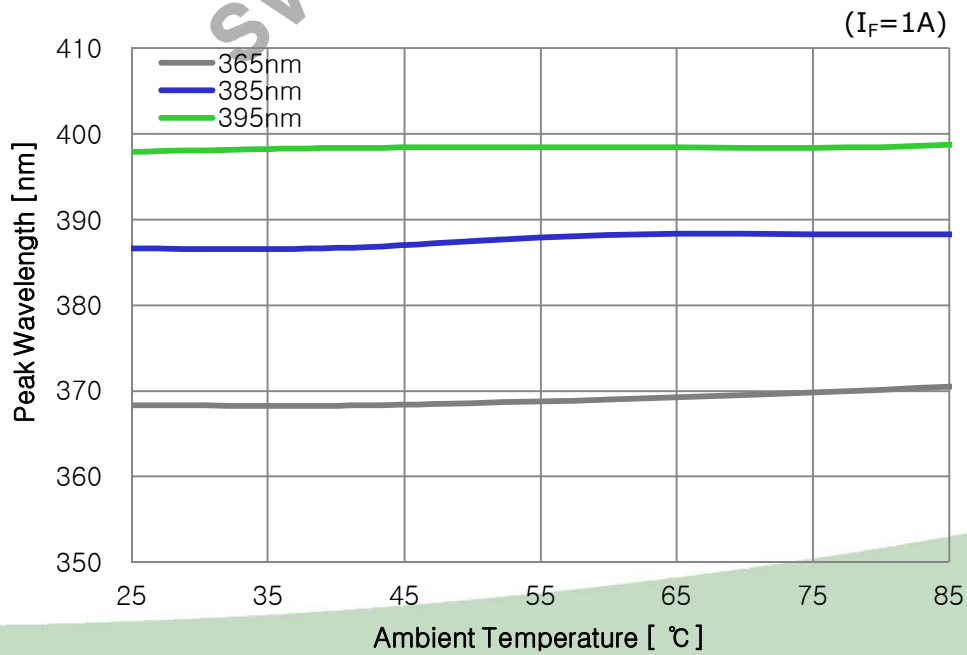
4. Peak Wavelength VS Forward Current



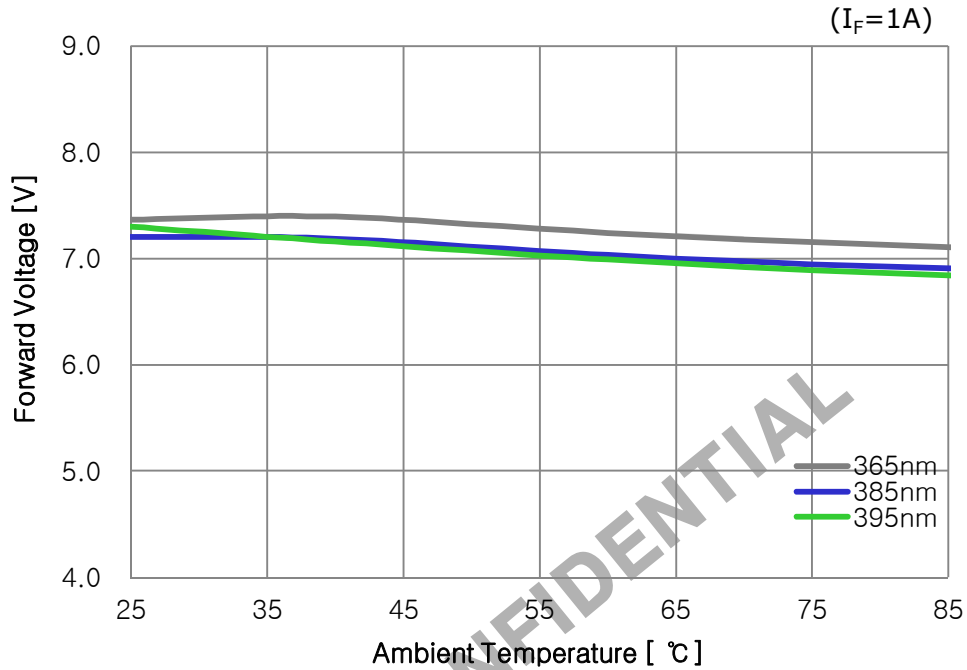
5. Relative Radiant Flux VS Ambient Temperature



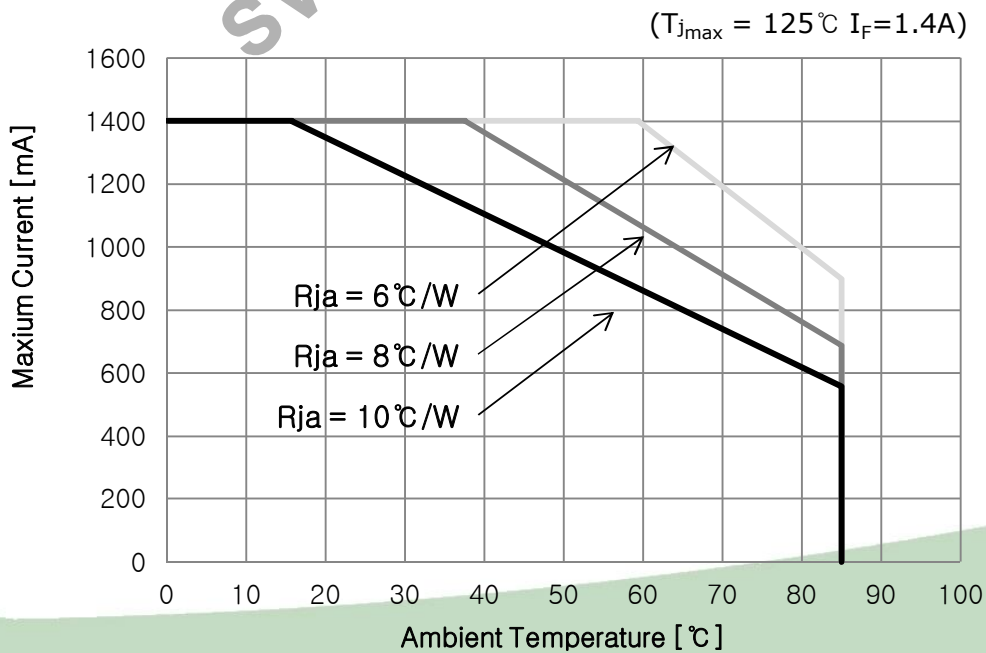
6. Peak Wavelength VS Ambient Temperature



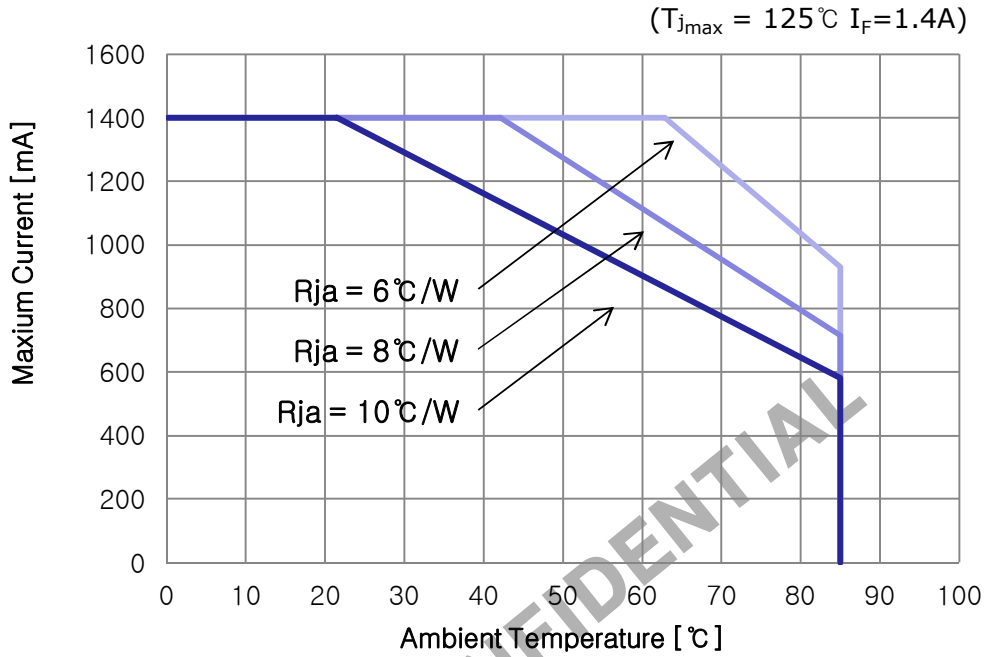
7. Forward Voltage VS Ambient Temperature



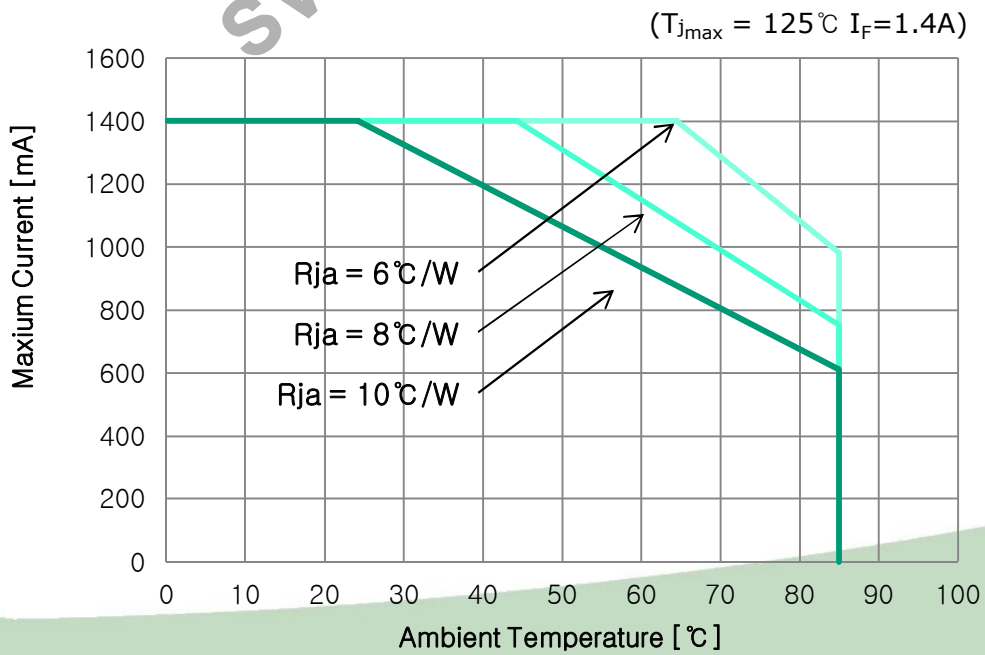
8-1. Allowable Forward Current VS Ambient Temperature(365nm)



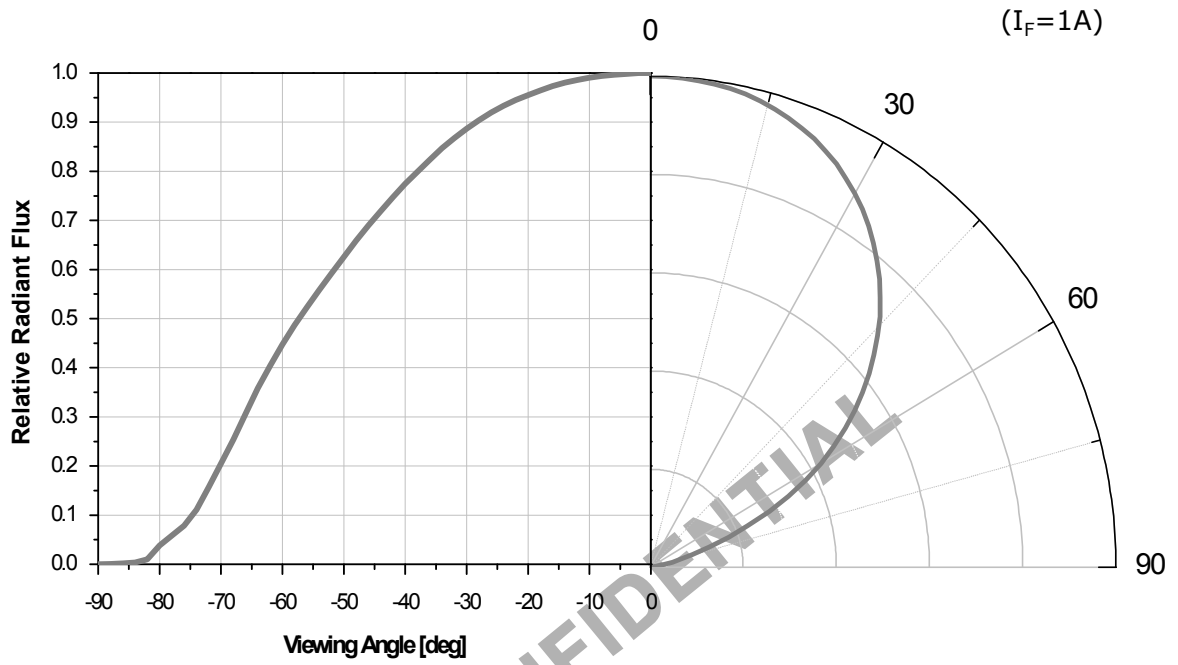
8-2. Allowable Forward Current VS Ambient Temperature(385nm)



8-3. Allowable Forward Current VS Ambient Temperature(395nm)



9. Radiation pattern



SVC CONFIDENTIAL

Binning & Labeling

1. Binning Structure(365 & 385nm)

Y₁Y₂Y₃Y₄

(I_F=1A)

Part Number	Y ₁			Y ₂ Y ₃			Y ₄		
	Wp [nm]			Radiant Flux [mW]			Vf [V]		
	BIN	MIN	MAX	BIN	MIN	MAX	BIN	MIN	MAX
CUN6AF4A	j	360	370	L3	1760	1940	h	6.0	6.6
				L4	1940	2140	i	6.6	7.2
				L5	2140	2350	j	7.2	7.8
				M1	2350	2600	k	7.8	8.4
				M2	2600	2860	l	8.4	9.0
				M3	2860	3150			
CUN8AF4A	m	380	390	M3	2860	3150	h	6.0	6.6
				M4	3150	3450	i	6.6	7.2
				M5	3450	3800	j	7.2	7.8
				N1	3800	4180	k	7.8	8.4
				N2	4180	4600	l	8.4	9.0
				N3	4600	5060			

2. Rank(365 & 385nm)

Y₁Y₂Y₃Y₄

- Y₁ : Peak Wavelength [nm]
- Y₂Y₃ : Radiant Flux [mW]
- Y₄ : Forward Voltage [V]

Notes :

1. Peak Wavelength Measurement tolerance : ±3nm
2. Radiant Flux Measurement tolerance : ± 10%
3. Forward Voltage Measurement tolerance : ±3%

Binning & Labeling

3. Binning Structure(395nm)

Y₁Y₂Y₃Y₄Y₅

(I_F=1A)

Part Number	Y ₁ Y ₂			Y ₃ Y ₄			Y ₅		
	Wp [nm]			Radiant Flux [mW]			Vf [V]		
	BIN	MIN	MAX	BIN	MIN	MAX	BIN	MIN	MAX
CUN9AF4A	n1	390	395	M3	2860	3150	h	6.0	6.6
				M4	3150	3450	i	6.6	7.2
				M5	3450	3800	j	7.2	7.8
				N1	3800	4180	k	7.8	8.4
				N2	4180	4600	l	8.4	9.0
				N3	4600	5060			
	n2	395	400	M3	2860	3150	h	6.0	6.6
				M4	3150	3450	i	6.6	7.2
				M5	3450	3800	j	7.2	7.8
				N1	3800	4180	k	7.8	8.4
				N2	4180	4600	l	8.4	9.0
				N3	4600	5060			

4. Rank(395nm)

Y₁Y₂Y₃Y₄Y₅

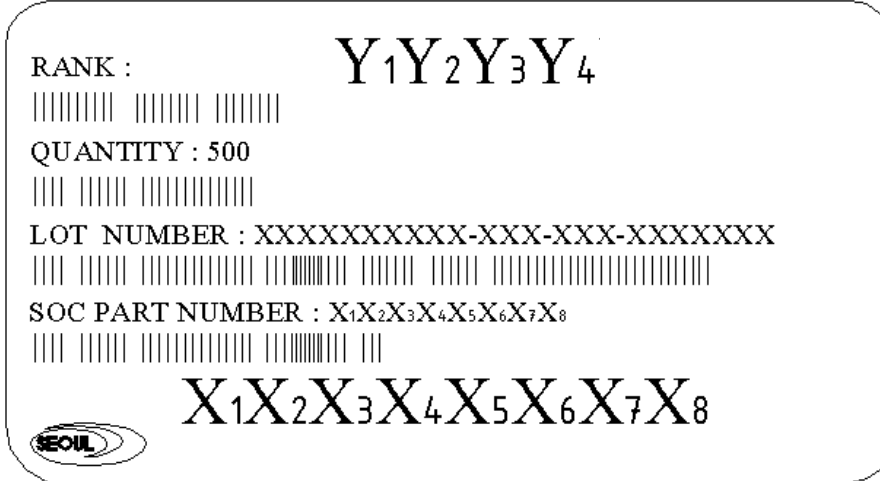
- Y₁Y₂ : Peak Wavelength [nm]
- Y₃Y₄ : Radiant Flux [mW]
- Y₅ : Forward Voltage [V]

Notes :

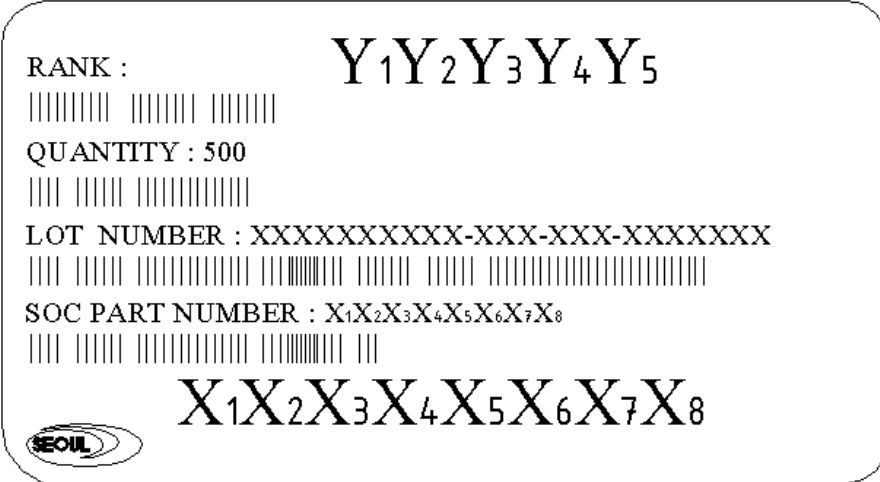
1. Peak Wavelength Measurement tolerance : ±3nm
2. Radiant Flux Measurement tolerance : ± 10%
3. Forward Voltage Measurement tolerance : ±3%

5. Label

(1) 365 & 385nm



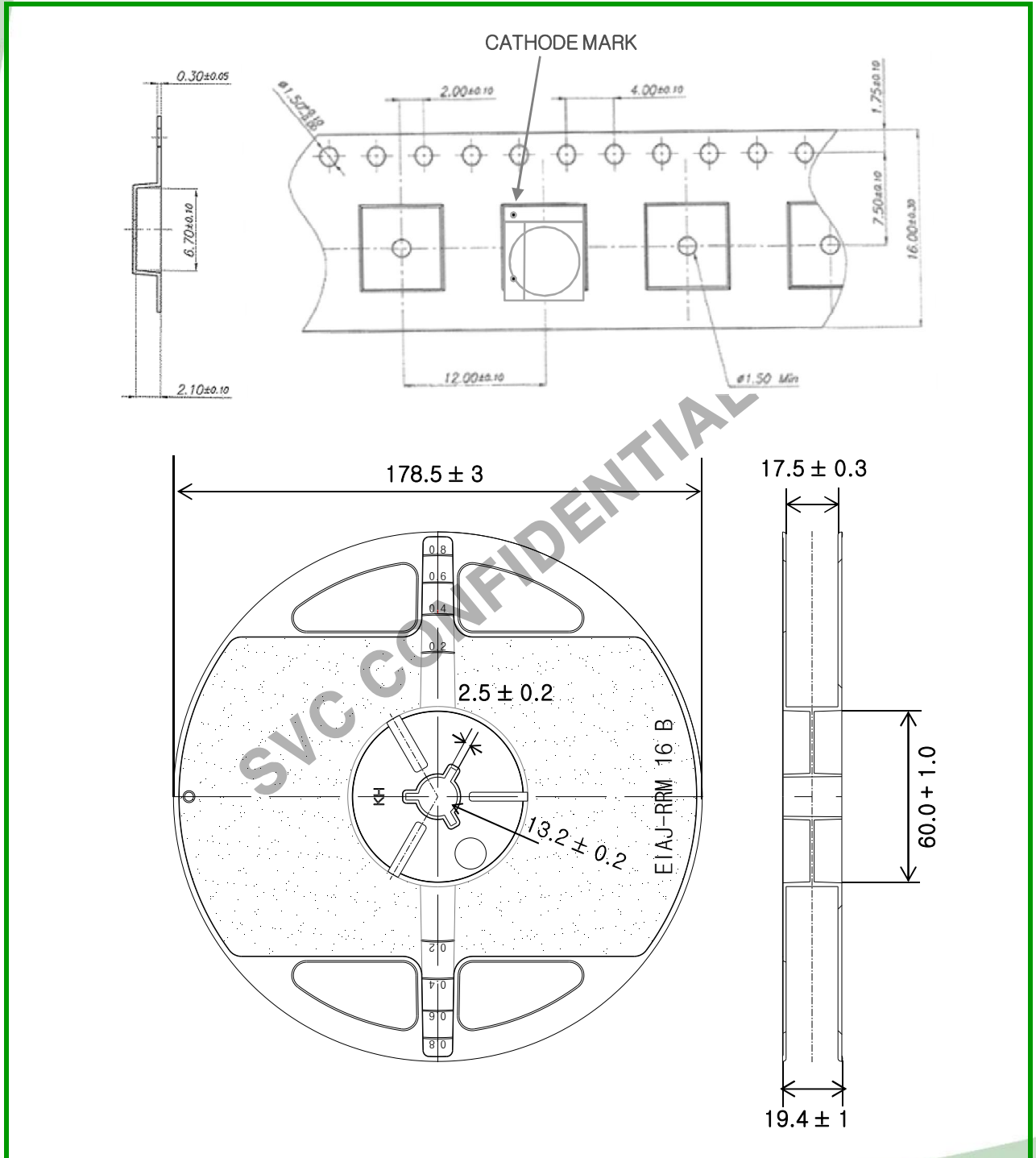
(1) 395nm



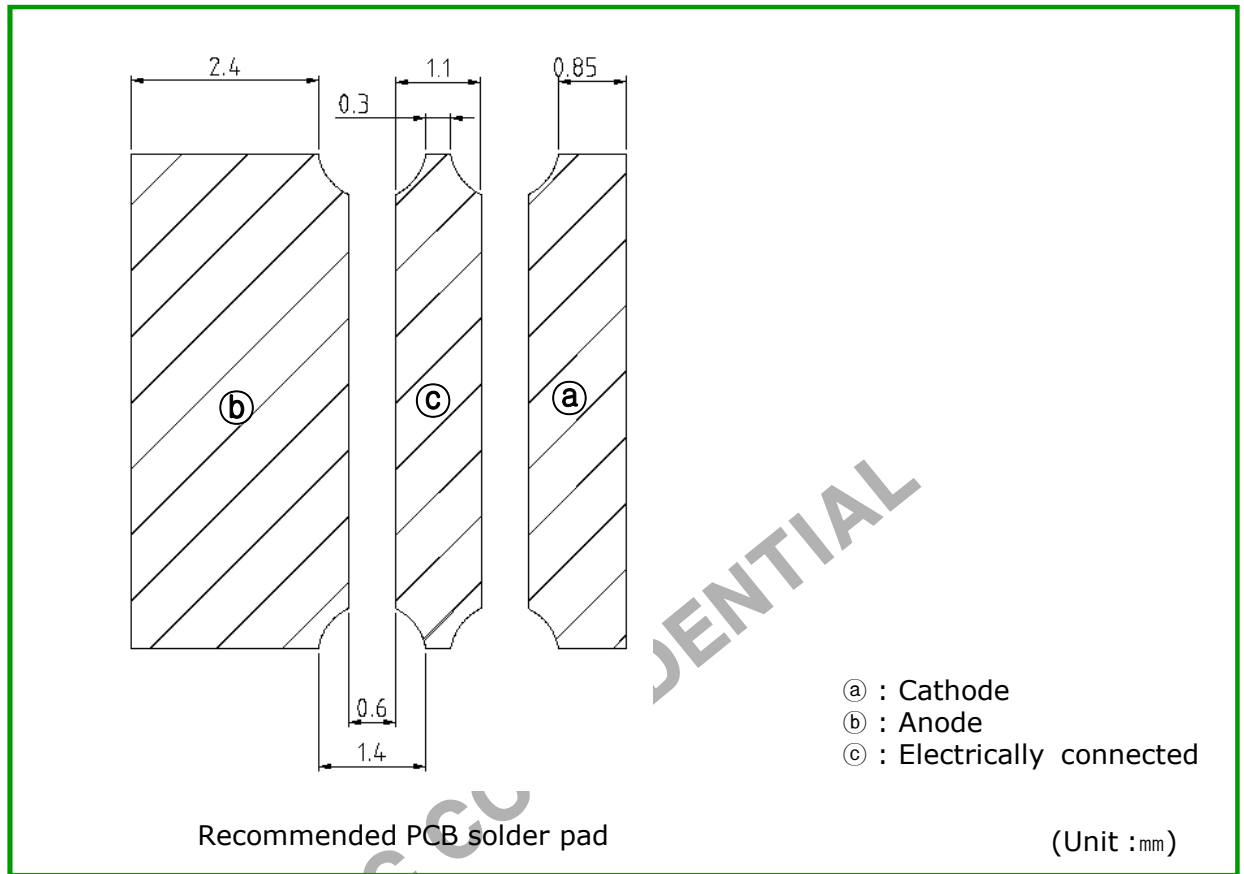
6. SVC PART NUMBER : X₁X₂X₃X₄X₅X₆X₇X₈

X ₁		X ₂		X ₃ X ₄		X ₅		X ₆		X ₇		X ₈	
Company		Product Line		Wavelength		PKG Series		Lens Type		Chip Q'ty		Ver	
SVC	C	UV	U	Near 365	N6	AAP63	A	Flat	F	4	4	ver0	A
				Near 385	N8								
				Near 395	N9								

Reel Packaging



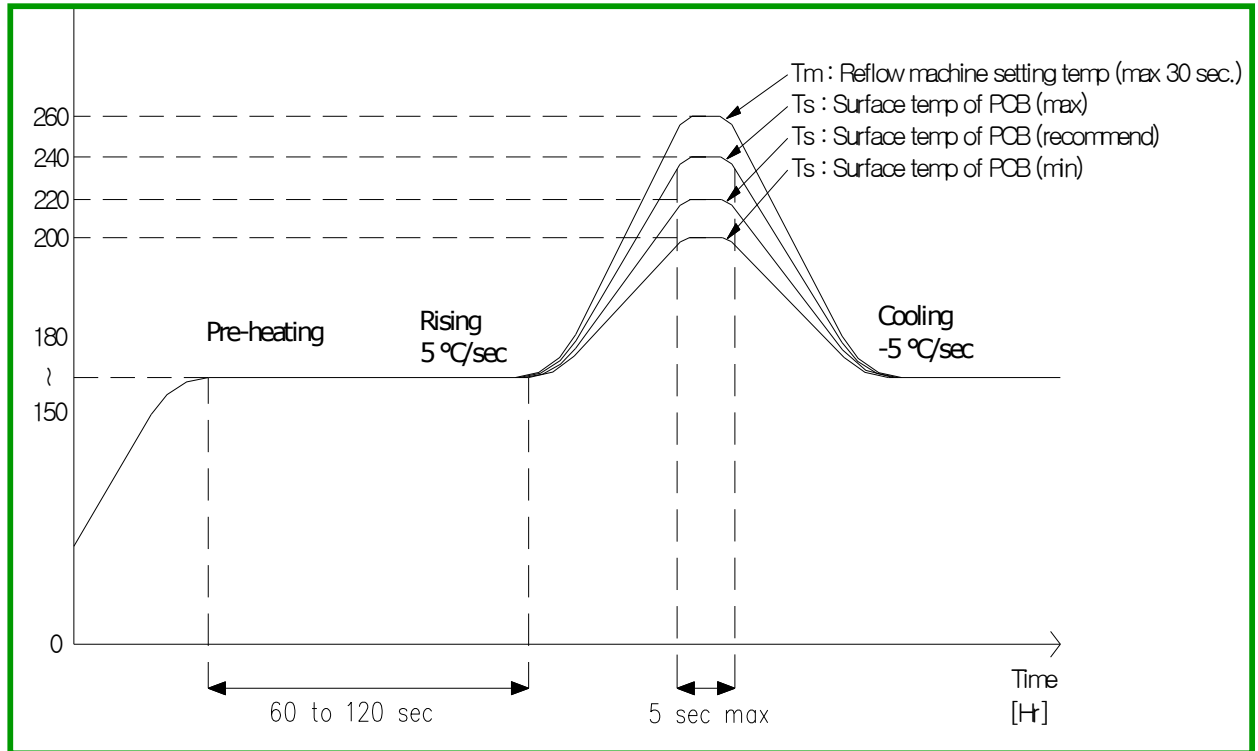
Recommended solder pad



Notes :

- [1] Scale : none
- [2] This drawing without tolerances are for reference only
- [3] PCB requires special care in design because of the 2 electrical isolation layer of package

Reflow Soldering Profile



* Caution

1. Reflow soldering should not be done more than one time.
2. Repairs should not be done after the LEDs have been soldered. When repair is unavoidable, suitable tools must be used.
3. Die slug is to be soldered.
4. When soldering, do not put stress on the LEDs during heating.
5. After soldering, do not warp the circuit board.
6. Recommend to use a convection type reflow machine with 7 ~ 8 zones.

Precaution for use

1) Storage

- To avoid moisture penetration, we recommend storing UV LEDs in a dry box with a desiccant. The recommended temperature and Relative humidity are between 5°C and 30°C and below 50% respectively.
- LEDs must be stored properly to maintain the device. If the LEDs are stored for 3 months or more after being shipped from SVC, a sealed container with a nitrogen atmosphere should be used for storage.
- Replace the remained LEDs into the moisture-proof bag and reseal the bag after work to avoid those LEDs being exposed to moisture. Prolonged exposure to moisture can adversely affect the proper functioning of the LEDs.
- If the package has been opened, components should be dried for 10-12hr at 60±5°C
- The conditions of resealing are as follows
 - Temperature is 5 to 40°C and Relative humidity is less than 30%

2) Handling Precautions

- VOCs (Volatile organic compounds) emitted from materials used in the construction of fixtures can penetrate silicone encapsulants of LEDs and discolor them when exposed to heat and photonic energy. The result can be a significant loss of light output from the fixture. Knowledge of the properties of the materials selected to be used in the construction of fixtures can help prevent these issues.
- In case of attaching LEDs, do not use adhesives that outgas organic vapor.
- Soldering should be done as soon as possible after opening the moisture-proof bag.
- Do not rapidly cool device after soldering.
- Do not apply mechanical force or excess vibration during the cooling process to normal temperature after soldering.
- Components should not be mounted on warped (non coplanar) portion of PCB.
- The optical window part of LED needs to be handled carefully as below
 - Avoid touching the optical window especially with sharp tools such as Pincettes (Tweezers)
 - Avoid leaving fingerprints on optical window parts.
 - Optical window will attract dust so use covered containers for storage.
 - When populating boards in SMT production, there are basically no restrictions regarding the form of the pick and place nozzle, except that excessive mechanical pressure on the surface of optical window parts must be prevented.
 - It is not recommend to cover the optical window of the LEDs with other resin (epoxy, urethane, etc)

3) Safety for eyes and skin

- The Products emit high intensity ultraviolet light which can make your eyes and skin harmful, So do not look directly into the UV light and wear protective equipment during operation.



4) Cleaning

- This device is not allowed to be used in any type of fluid such as water, oil, organic solvent , etc.

5) Others

- The appearance and specifications of the product may be modified for improvement without notice.
- When the LEDs are in operation the maximum current should be decided after measuring the package temperature.
- The driving circuit must be designed to allow forward voltage only when it is ON or OFF. If the reverse voltage is applied to LED, migration can be generated resulting in LED damage.
- Do not handle this product with acid or sulfur material in sealed space.

SVC CONFIDENTIAL

	 CAUTION
	<ul style="list-style-type: none"> •UV LEDs emit high intensity UV light. •Do not look directly into the UV light during operation. This can be harmful to your eyes and skin. •Wear protective eyewear to avoid exposure to UV light. •Attach caution labels to your products which contain UV LEDs. <p style="text-align: center;">Avoid direct eye and skin exposure to UV light. Keep out of reach of children.</p>

Revision history

REV	Change Date	Brief summary of change
00	November 28, 2013	Initial specification
01	February 21, 2014	Data update

SVC CONFIDENTIAL